

Sept. 17, 1935.

G. R. EATON

2,014,427

MICROPHONE

Filed April 11, 1933

Fig. 1.

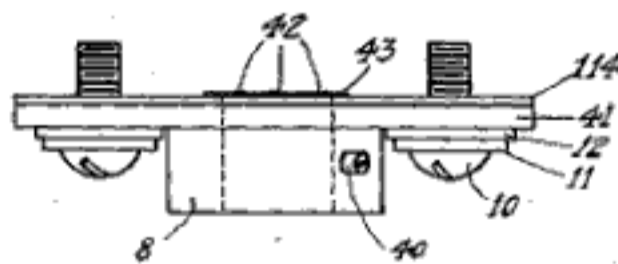
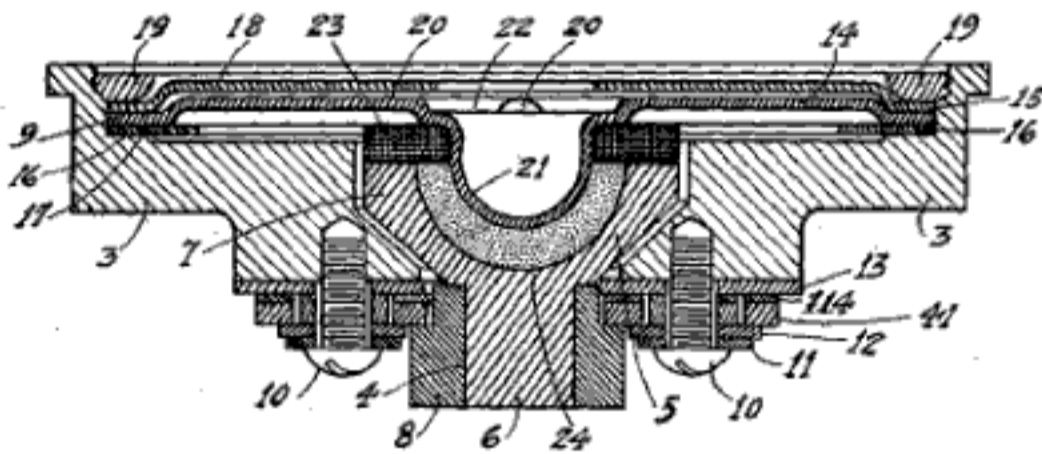


Fig. 2.

Inventor.  
George R. Eaton.  
By C. P. Sofor  
Attorney.

W. W. DEAN.  
TELEPHONE RECEIVER.  
APPLICATION FILED FEB. 26, 1903.

NO MODEL.

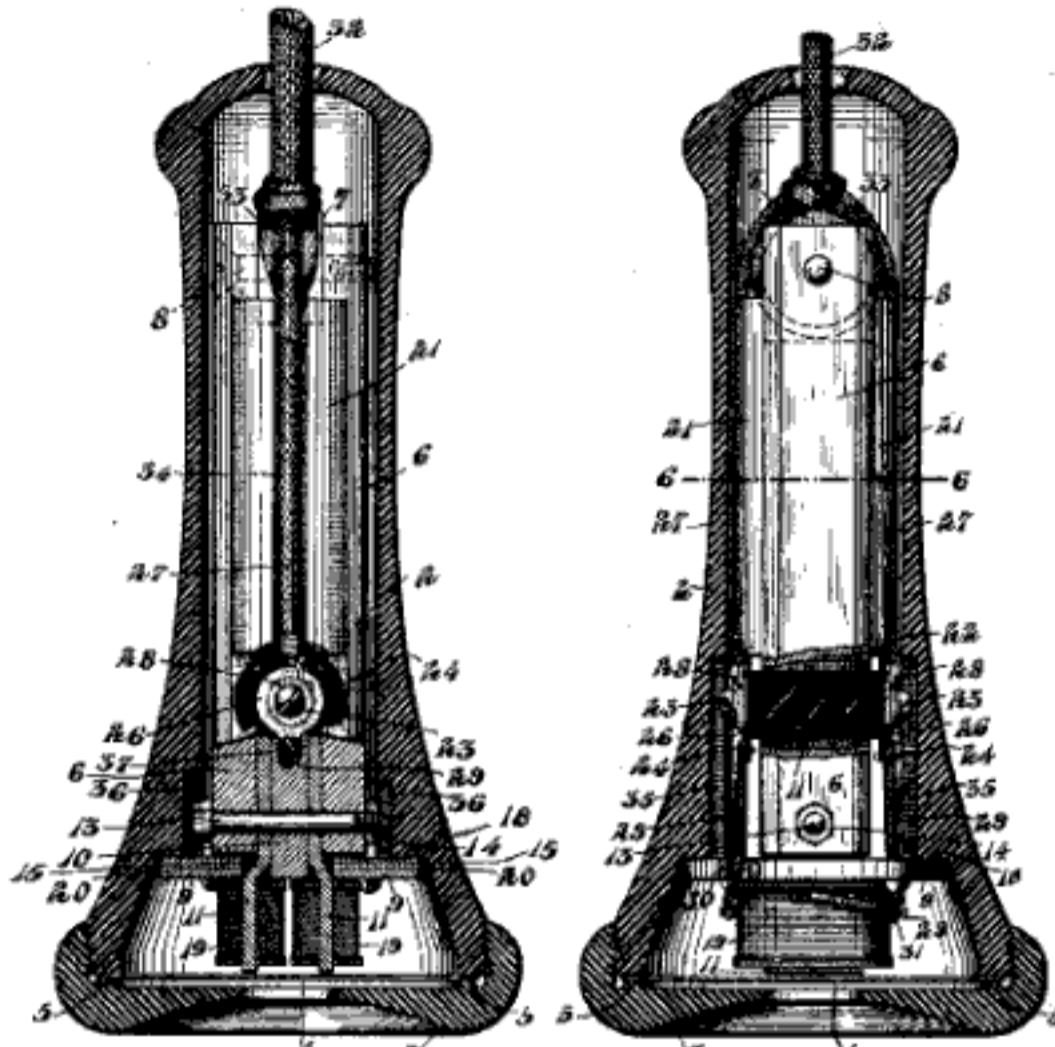


Fig. 1.

Fig. 2.



Fig. 3.

Fig. 4.

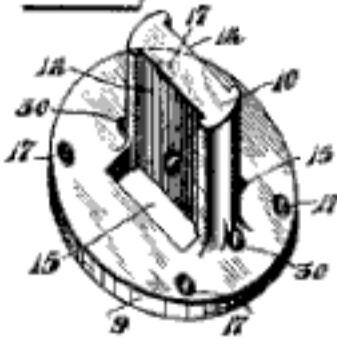


Fig. 5.

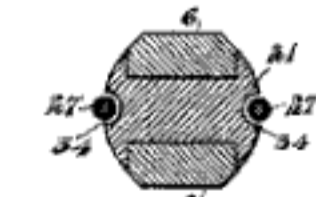
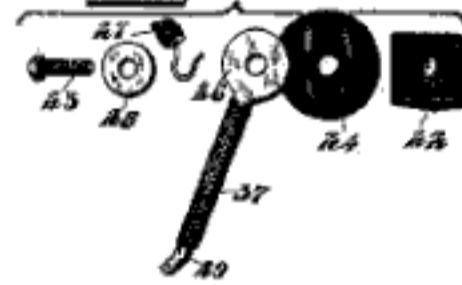


Fig. 6.

Witnesses.

*R. H. Burford*  
*W. J. Gunn*

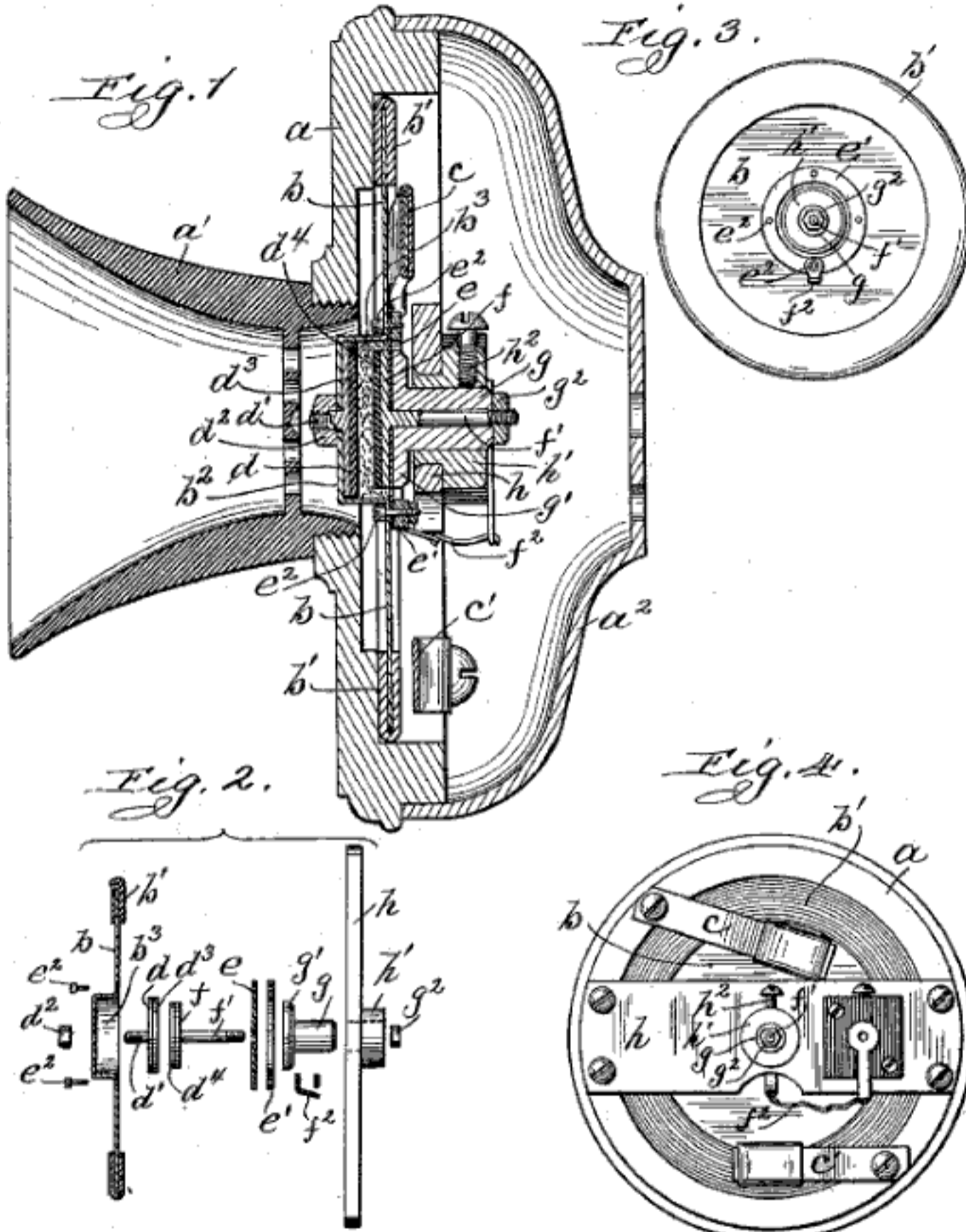
Inventor:  
William W. Dean,  
by *Robert Lewis Ames*,  
Attorney.

W. W. DEAN.

TELEPHONE TRANSMITTER.

(Application filed Mar. 22, 1901.)

(No Model.)



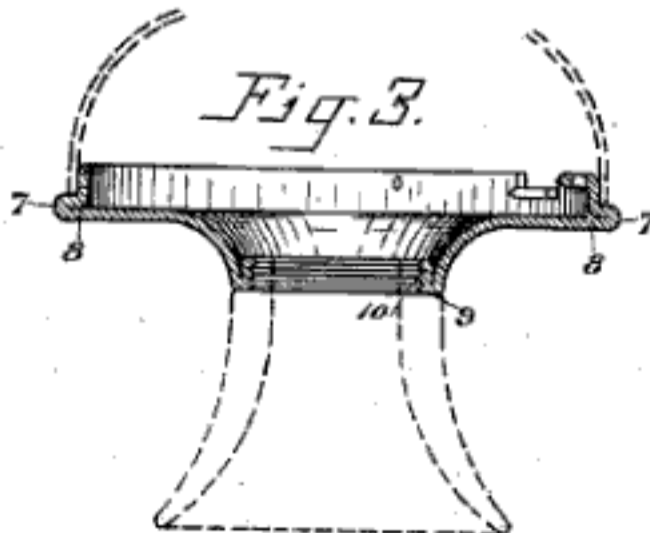
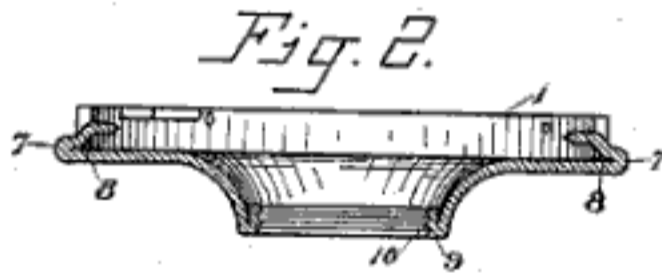
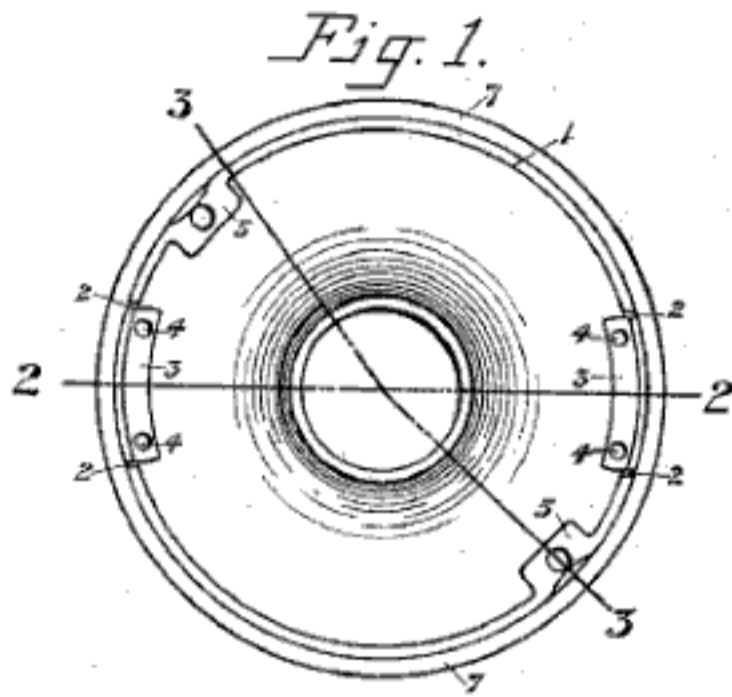
Witnesses:  
*R. J. Jaeger*  
*W. D. Nyman*

Inventor:  
*William W. Dean*  
 By *Jones & Addington*  
 Attorneys

No. 847,449.

PATENTED MAR. 19, 1907.

A. H. WEISS.  
TRANSMITTER FRONT.  
APPLICATION FILED JAN. 2, 1907.



Witnesses  
*a. Dahl.*  
*C. Bradbury*

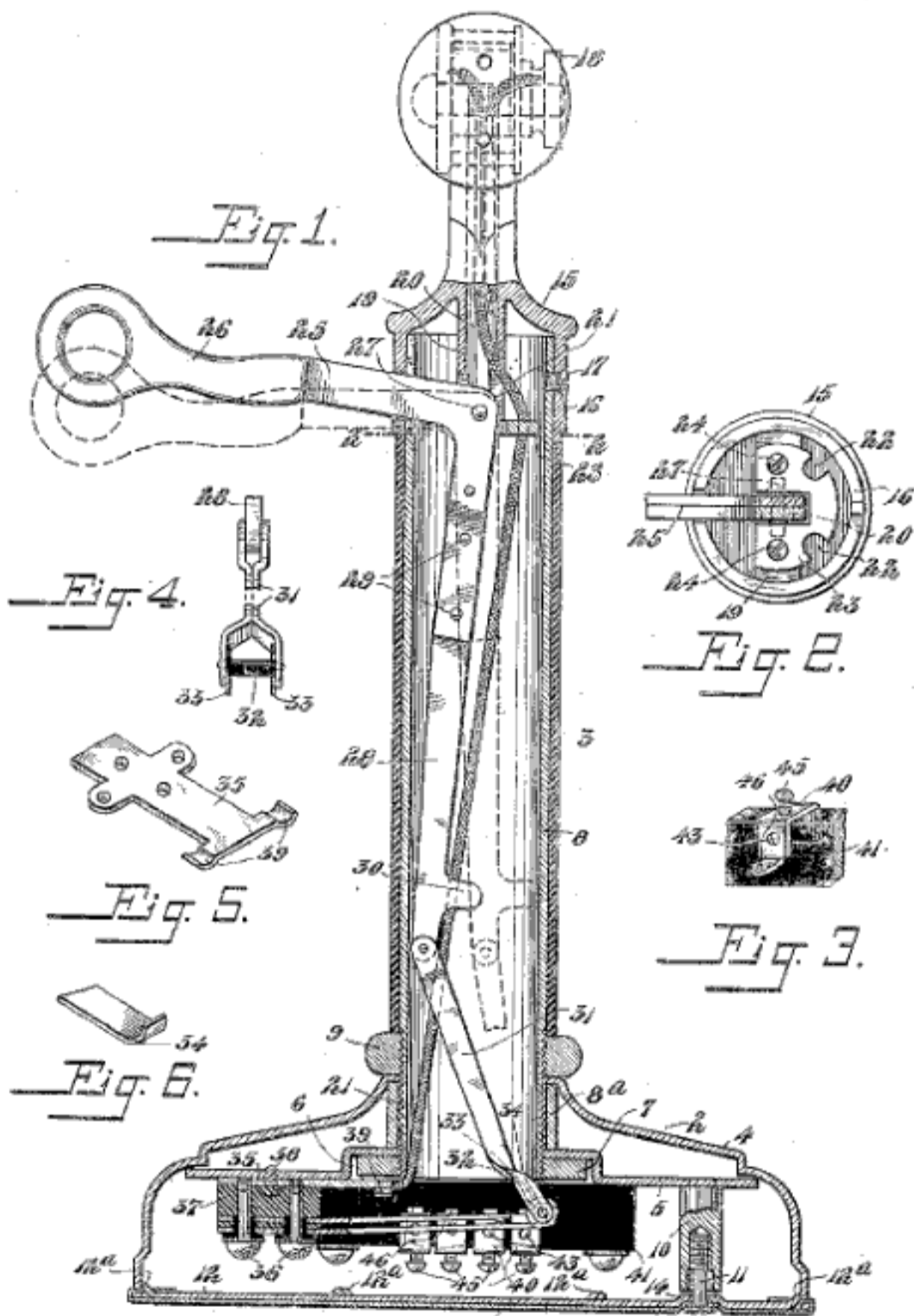
ALFRED H. WEISS  
Inventor  
By *Curtis S. Rank*  
Attorney

No. 884,500.

PATENTED APR. 14, 1908.

A. M. KNUDSEN.  
TELEPHONE DESK STAND.  
APPLICATION FILED SEPT. 2, 1904.

2 SHEETS—SHEET 1.



Witnesses:  
P. H. Burdine  
Edith F. Green

Inventor:  
Anton M. Knudsen  
By Robert Lewis Ames  
Attorney.

A. M. KNUDSEN.  
TELEPHONE DESK STAND.

APPLICATION FILED SEPT. 2, 1904.

2 SHEETS—SHEET 2.

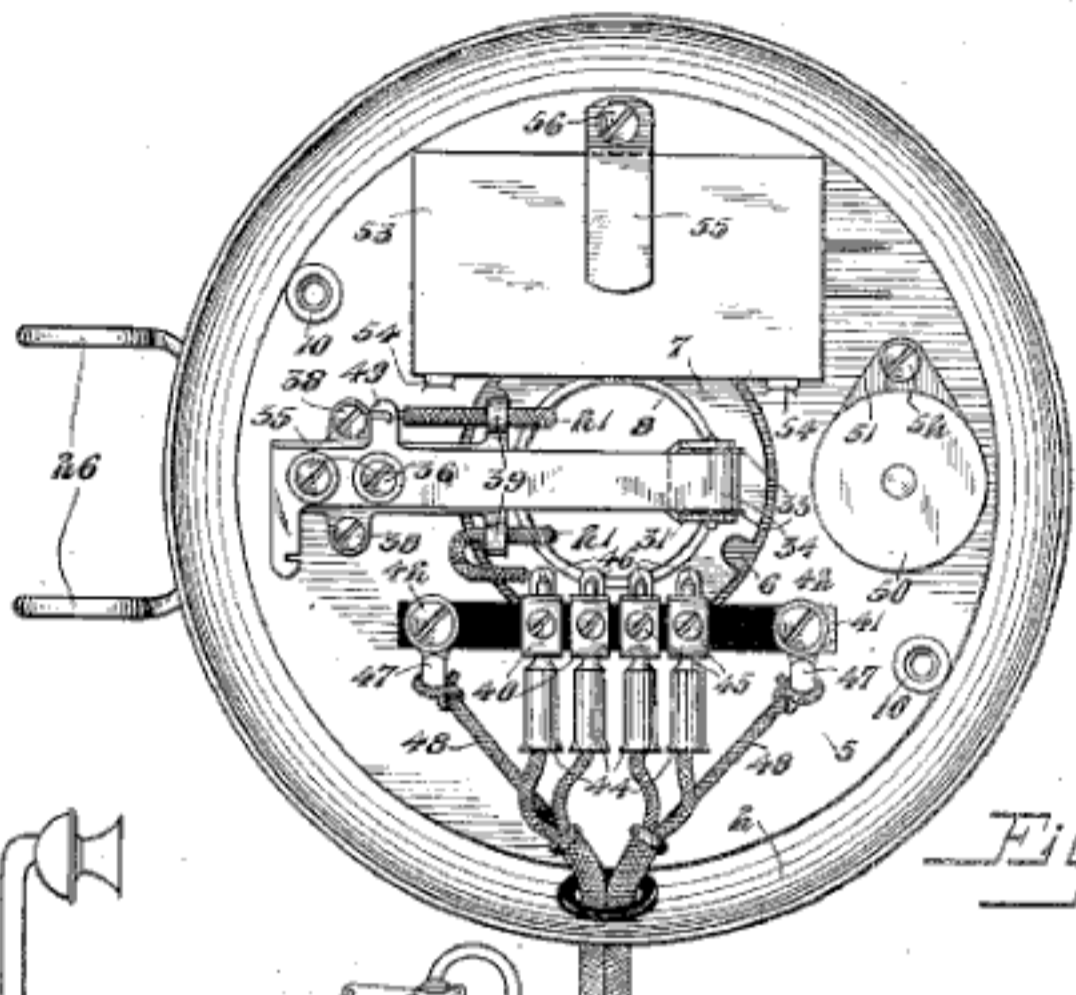


Fig. 7.

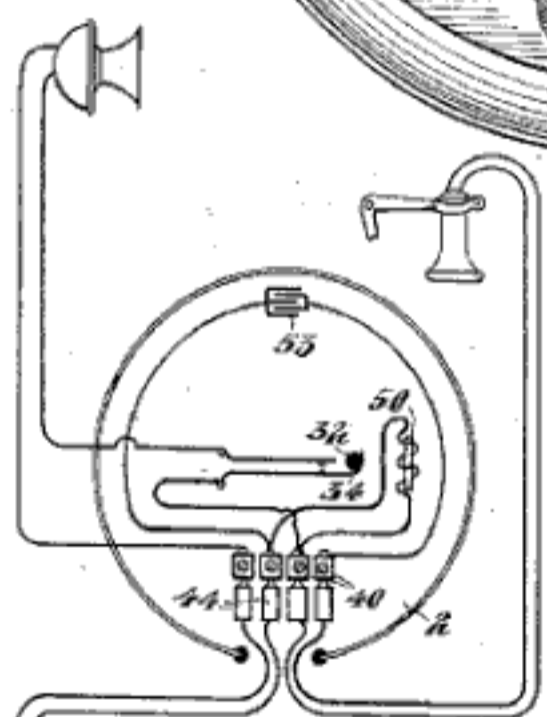


Fig. 8.

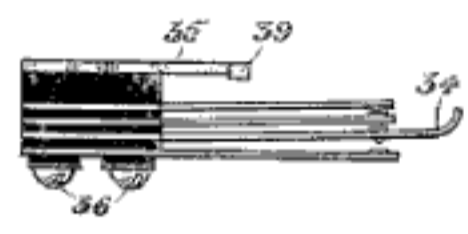
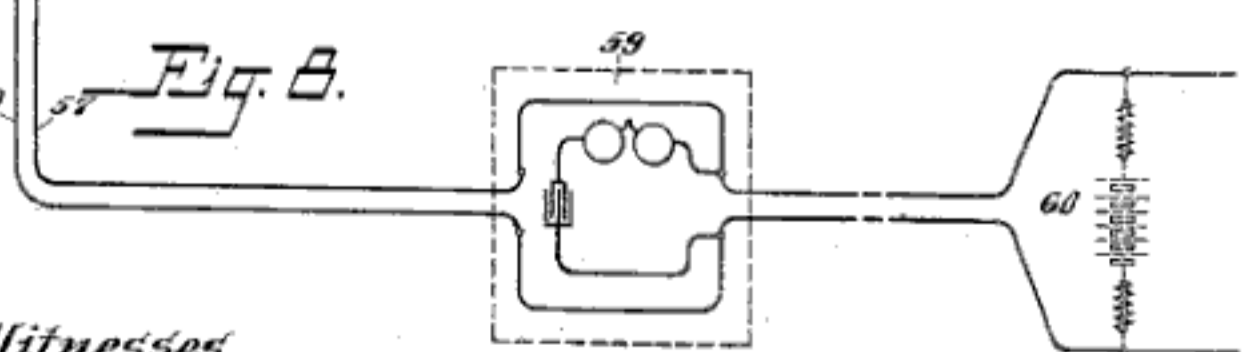


Fig. 9.



Witnesses:  
R. H. Burford  
Edith F. Kent

Inventor:  
Antons M. Knudsen  
By Robert Lewis Ames,  
Attorney.

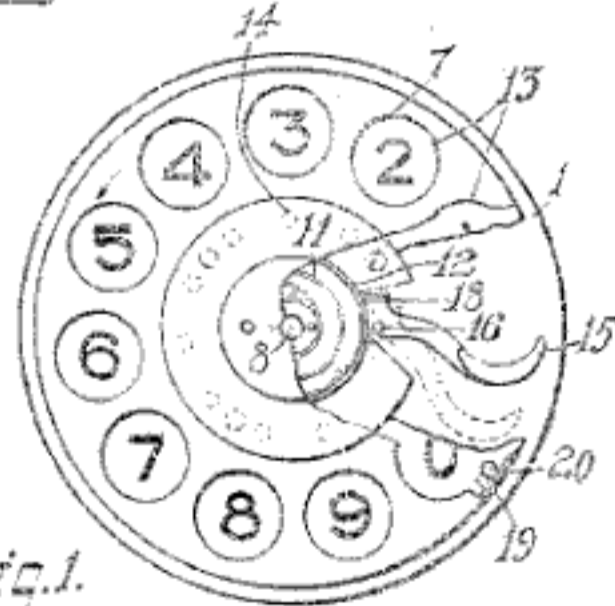
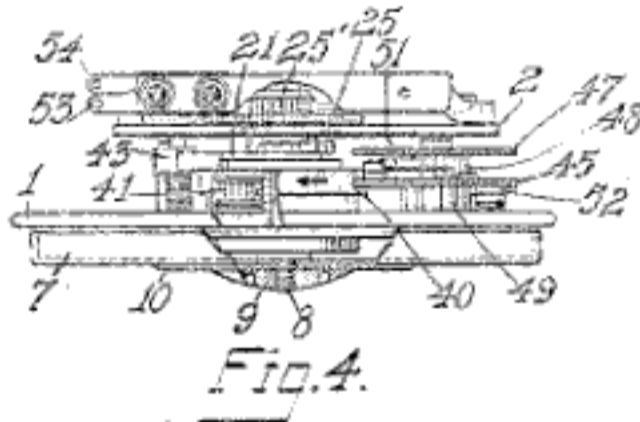
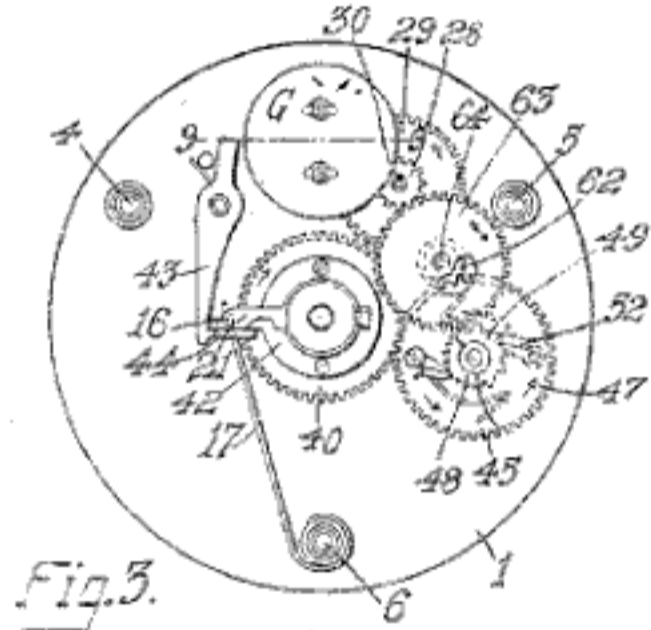
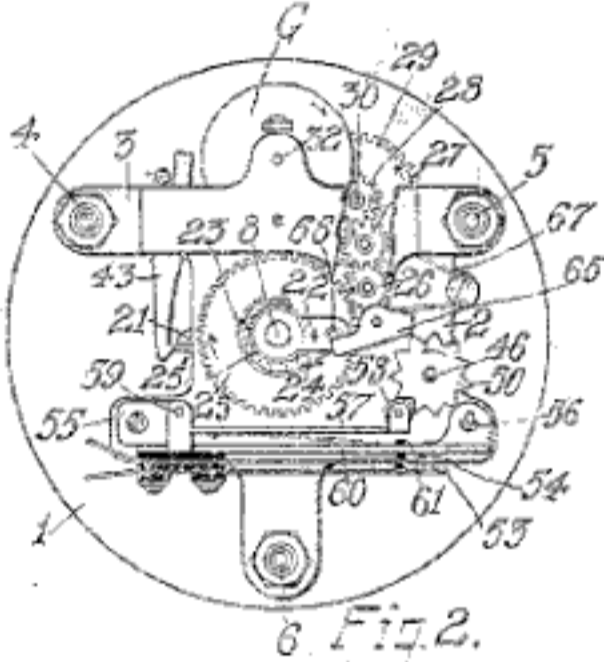
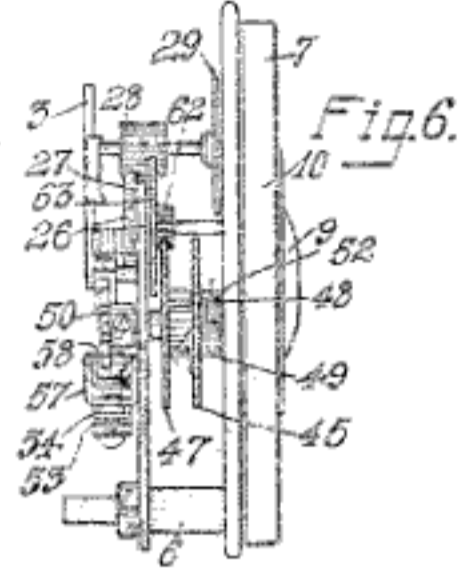
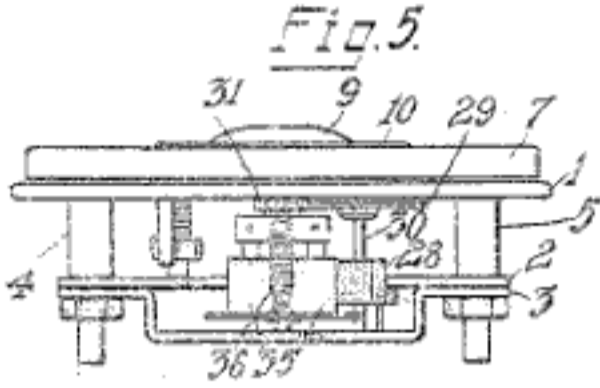
W. KAISLING.  
CALLING DEVICE.

APPLICATION FILED JULY 9, 1910.

1,096,841.

Patented May 19, 1914.

3 SHEETS-SHEET 1.



Witnesses  
George E. Mueller  
Wm Berghahn

Inventor  
WILLIAM KAISLING  
By Curtis Blount  
Attorney

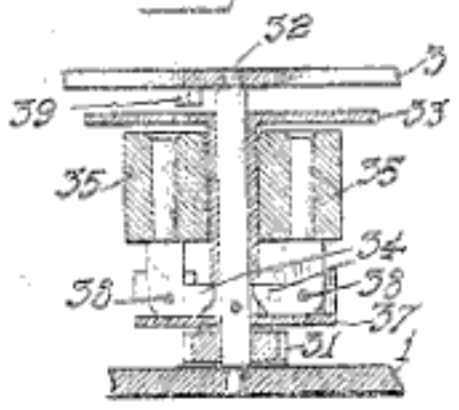
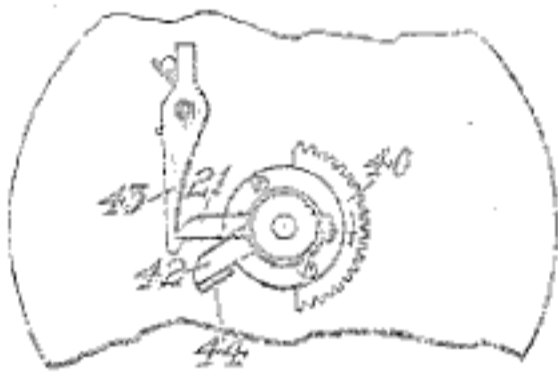
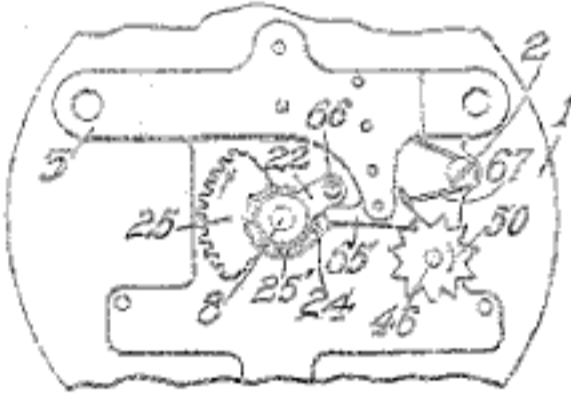
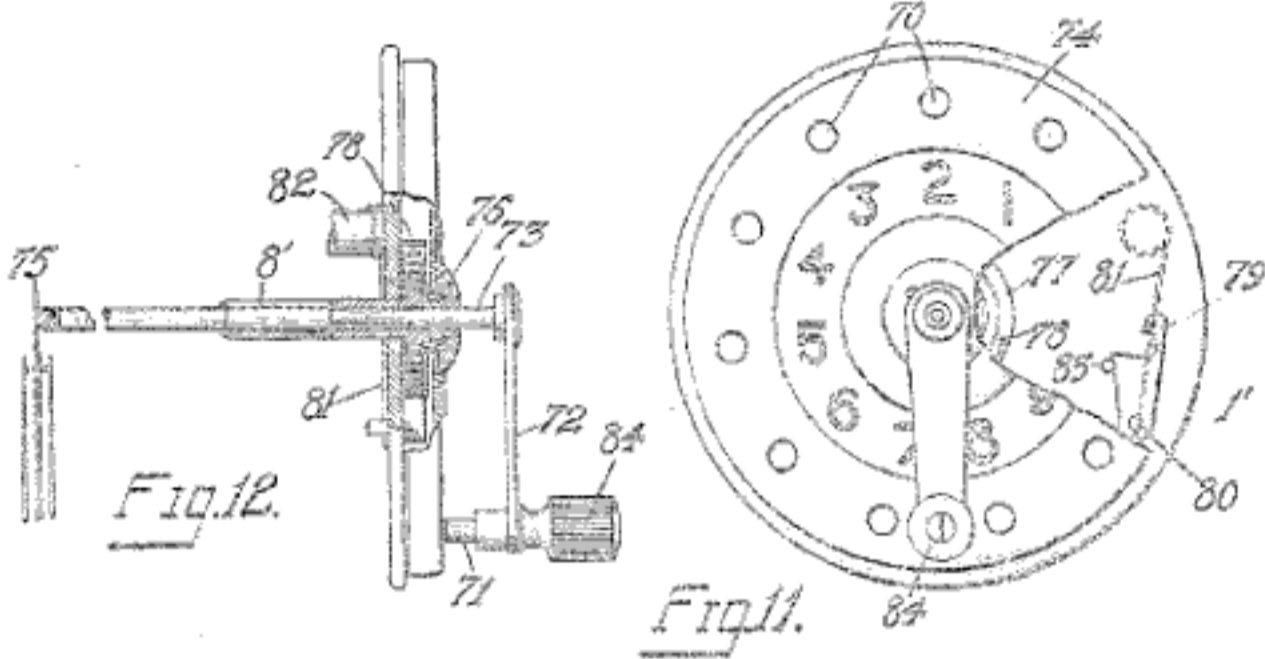
W. KAISLING.  
CALLING DEVICE.

APPLICATION FILED JULY 9, 1919.

Patented May 19, 1914.

3 SHEETS-SHEET 2.

1,096,841.



Witnesses  
George E. Mueller  
Wm. Berghahn.

Inventor  
WILLIAM KAISLING  
By Curtis Blampf  
Attorney

W. KAISLING.  
CALLING DEVICE.

APPLICATION FILED JULY 9, 1910.

Patented May 19, 1914.

3 SHEETS-SHEET 2.

1,096,841.

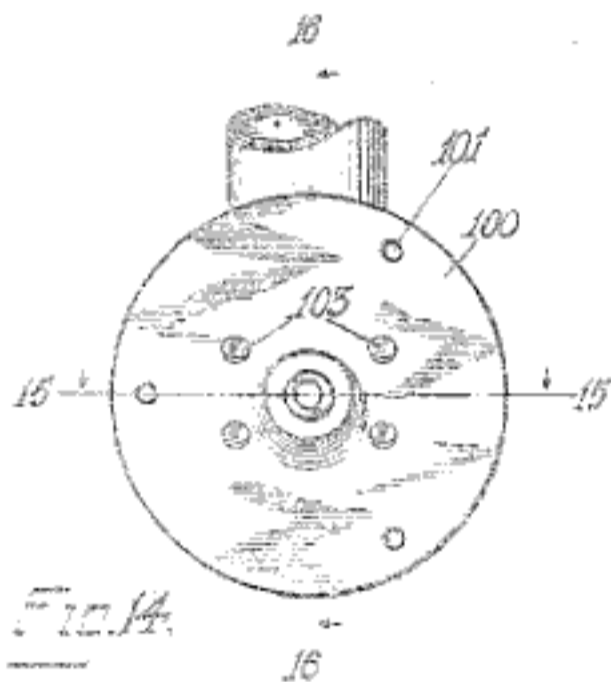
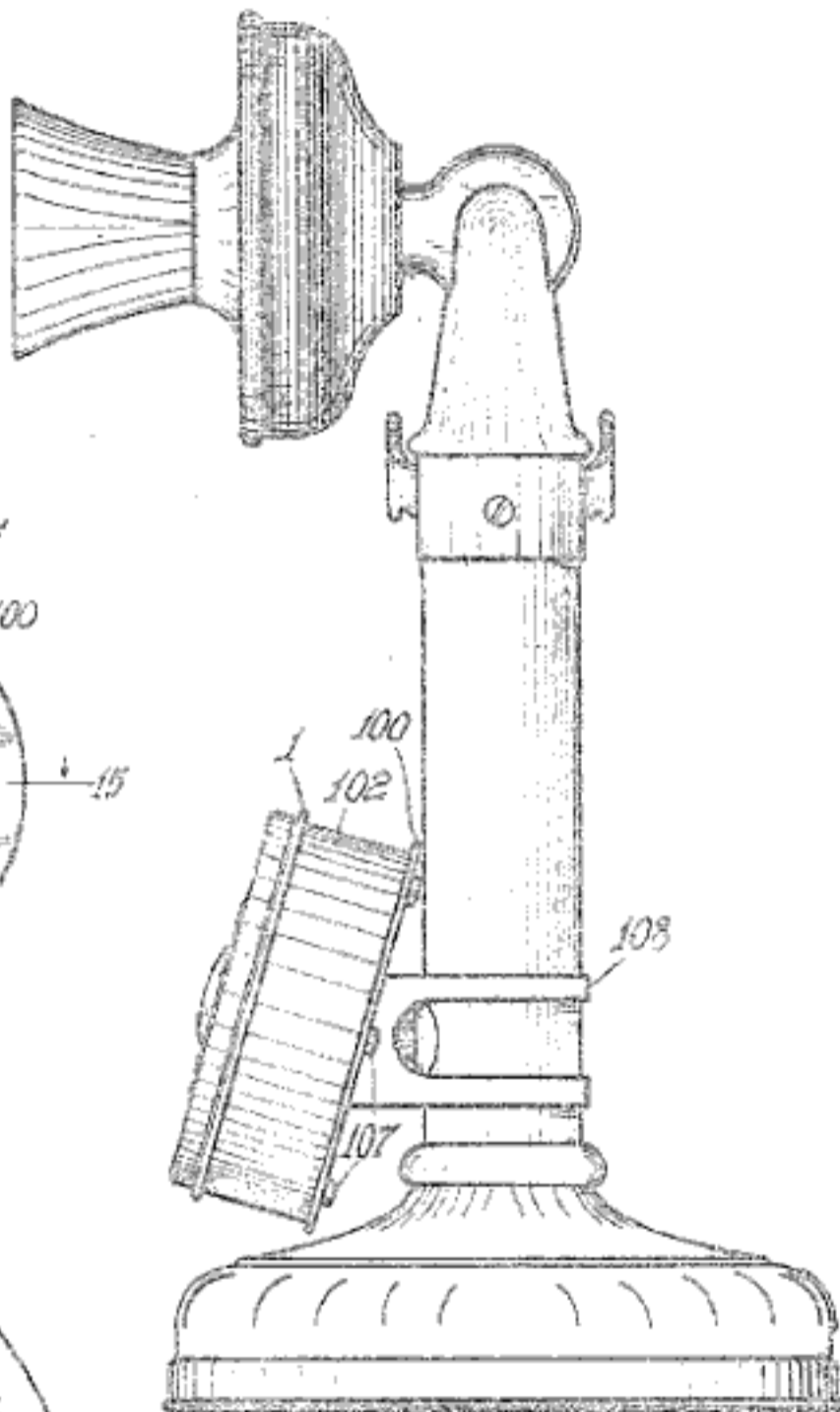
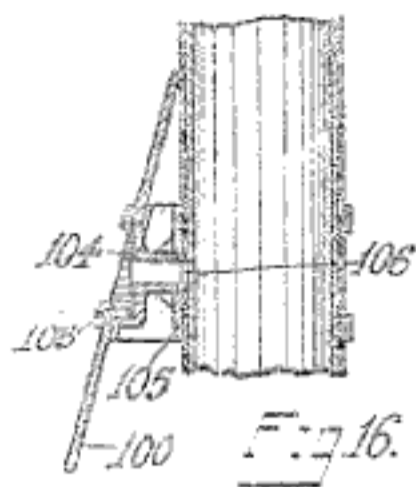


Fig. 14.

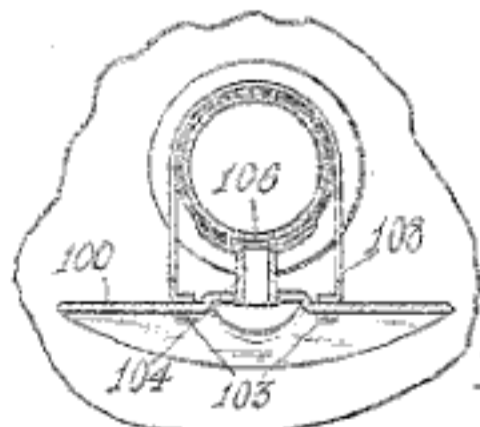


Fig. 15.

Fig. 13.

Witnesses  
George C. Mueller  
Chm. Bergahn

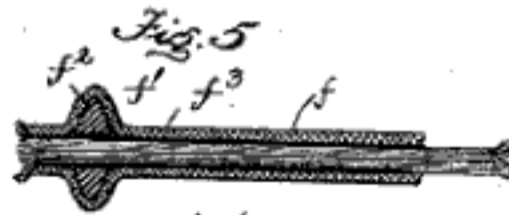
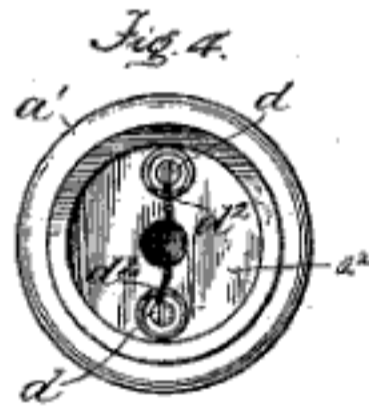
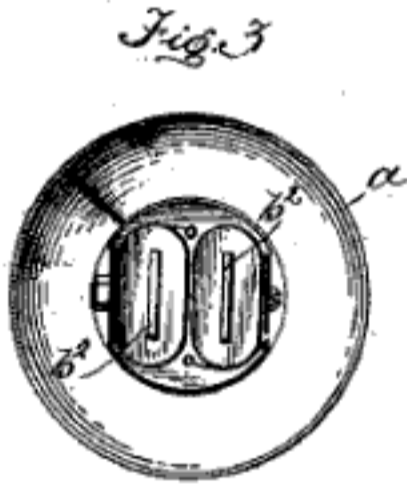
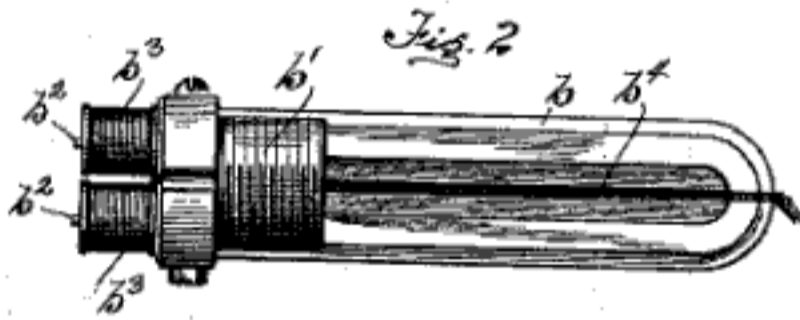
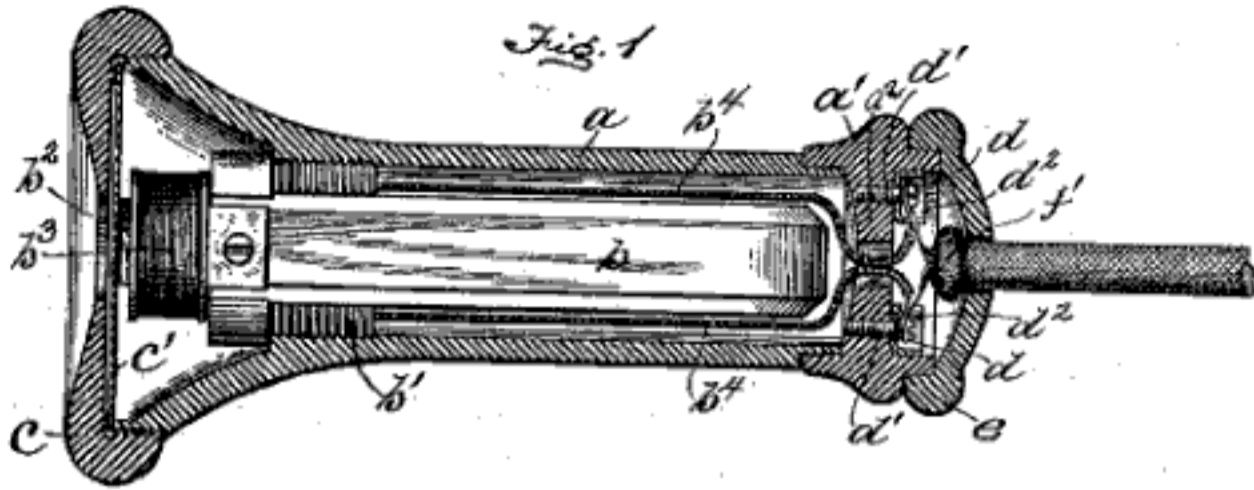
Inventor  
WILLIAM KAISLING  
By Curtis Blum  
Attorney

No. 717,429.

Patented Dec. 30, 1902.

K. B. MILLER  
TELEPHONE RECEIVER.  
(Application filed June 22, 1900.)

(No Model.)

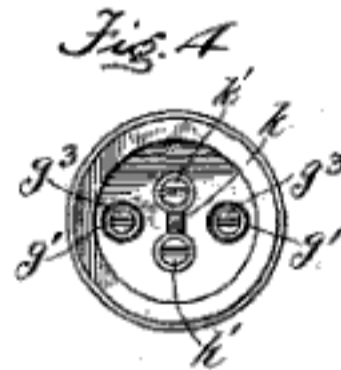
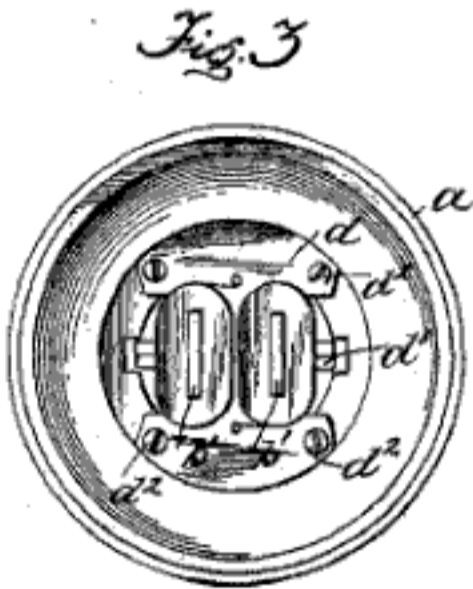
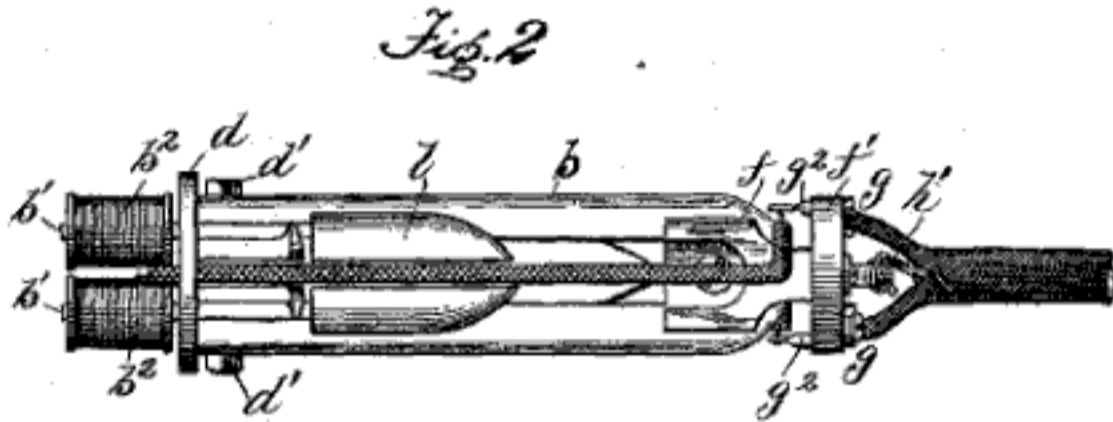
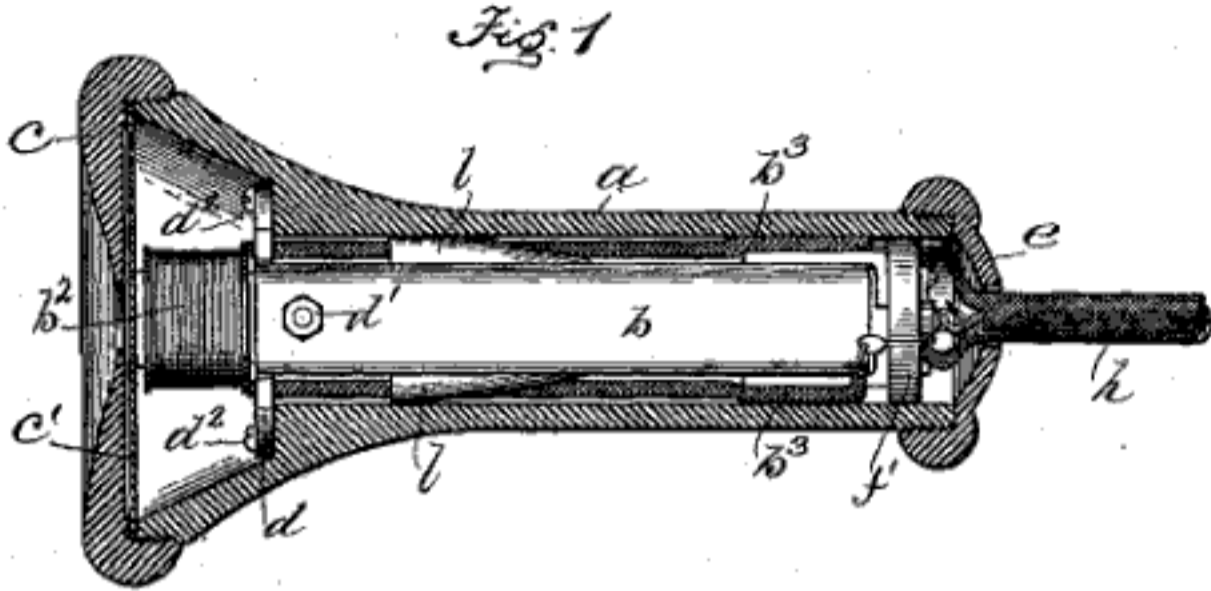


Witnesses:  
 Edmund A. Strauch,  
 R. J. Jucker.

Inventor  
 Kaysater B. Miller  
 by Jones & Addington  
 Attys.

K. B. MILLER.  
TELEPHONE RECEIVER.  
(Application filed June 22, 1900.)

(No Model.)



Witnesses:  
Edmund A. France,  
R. J. Jester

Inventor  
Kempster B. Miller  
by James Addington  
Attys.

No. 758,415.

PATENTED APR. 26, 1904.

A. C. CHRISTOPHER.  
TELEPHONE INSTRUMENT.

APPLICATION FILED FEB. 3, 1904.

NO MODEL.

2 SHEETS—SHEET 1.

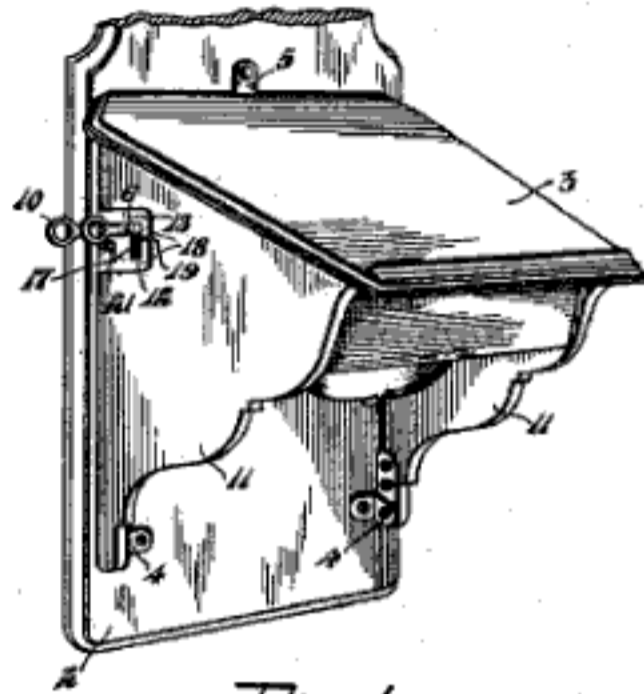


Fig. 1.

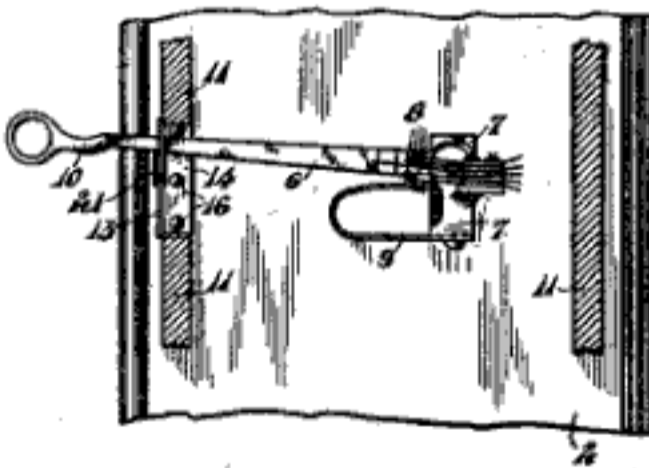


Fig. 2.

Witnesses.

*R. H. Burfield*  
*E. A. Harlock.*

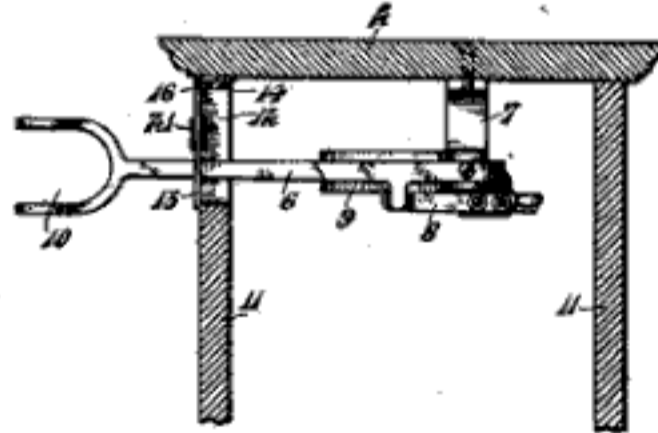


Fig. 3.

Inventor:  
*Albert C. Christopher*  
by *Robert Lewis Ames,*  
Attorney.

No. 758,415.

PATENTED APR. 26, 1904.

A. C. CHRISTOPHER.  
TELEPHONE INSTRUMENT.  
APPLICATION FILED FEB. 3, 1904.

NO MODEL.

2 SHEETS—SHEET 2.

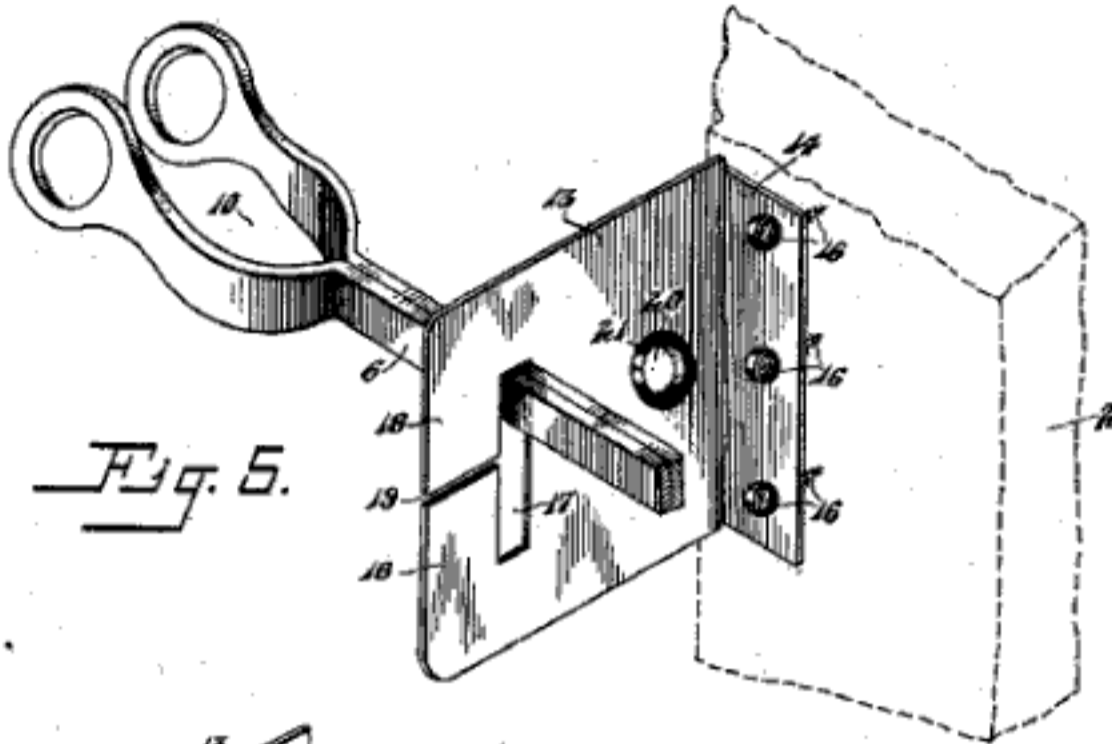


Fig. 5.

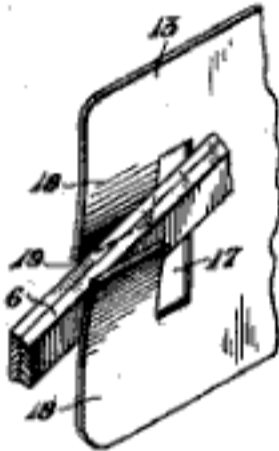


Fig. 6.

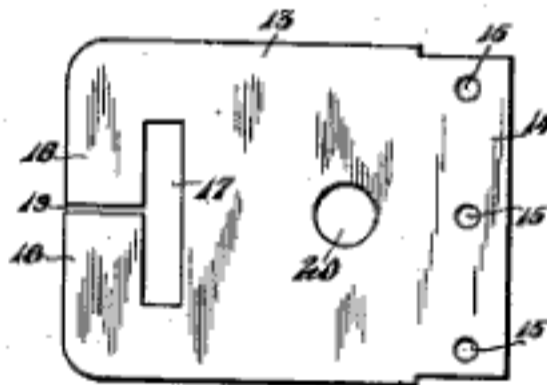


Fig. 7.

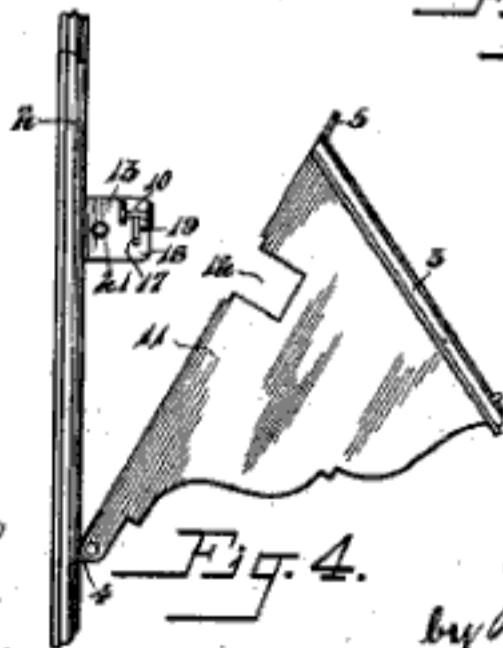


Fig. 4.

Witnesses.  
R. H. Burfield  
E. A. Harlock

Inventor:  
Albert C. Christopher  
by Robert Lewis Ames,  
Attorney.

No. 871,485.

PATENTED NOV. 19, 1907.

W. W. DEAN.  
TELEPHONE WALL SET.  
APPLICATION FILED JUNE 16, 1903.

4 SHEETS--SHEET 1.

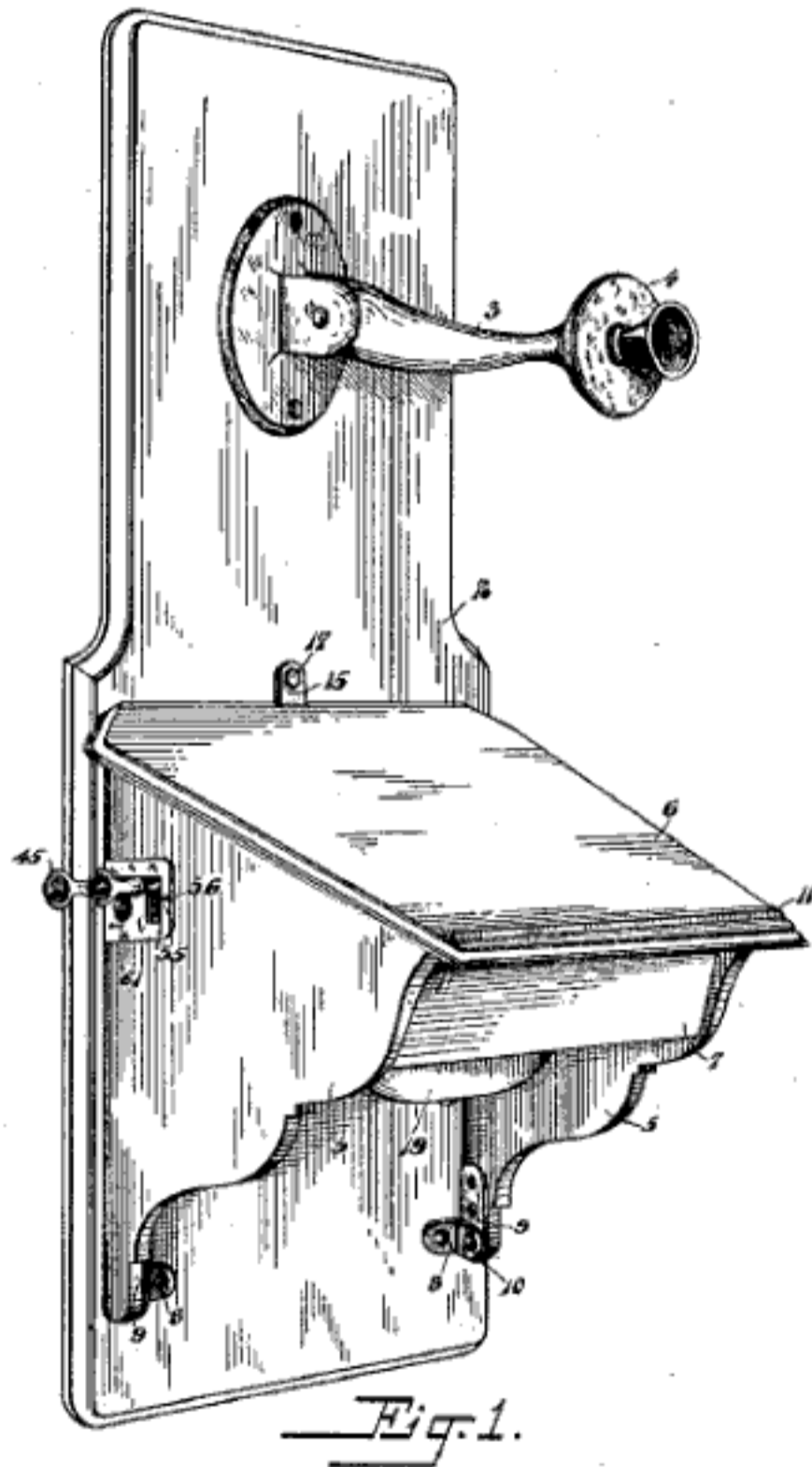


Fig. 1.

Witnesses.  
*R. H. Bonfired*  
*Kempster A. Miller*

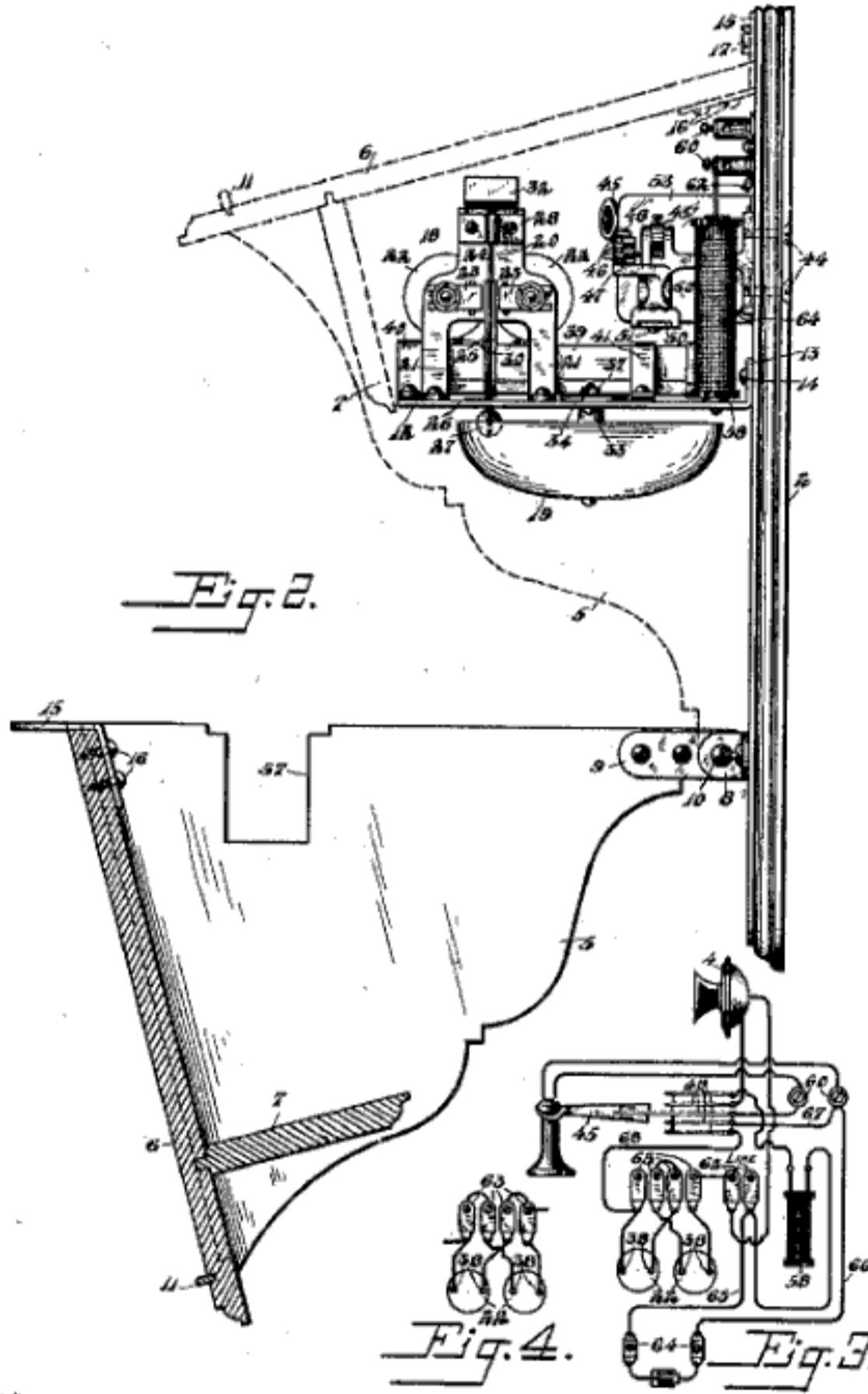
Inventor:  
*William W. Dean,*  
by *Robert Lewis Ames,*  
Attorney.

No. 871,485.

PATENTED NOV. 19, 1907.

W. W. DEAN.  
TELEPHONE WALL SET.  
APPLICATION FILED JUNE 15, 1903.

4 SHEETS—SHEET 2.



Witnesses.  
*A. L. Burford*  
*Stephen B. Miller*

Inventor:  
*William W. Dean,*  
by *Robert Lewis Ames,*  
Attorney.

No. 871,485.

PATENTED NOV. 19, 1907.

W. W. DEAN.  
TELEPHONE WALL SET.  
APPLICATION FILED JUNE 15, 1903.

4 SHEETS—SHEET 3.

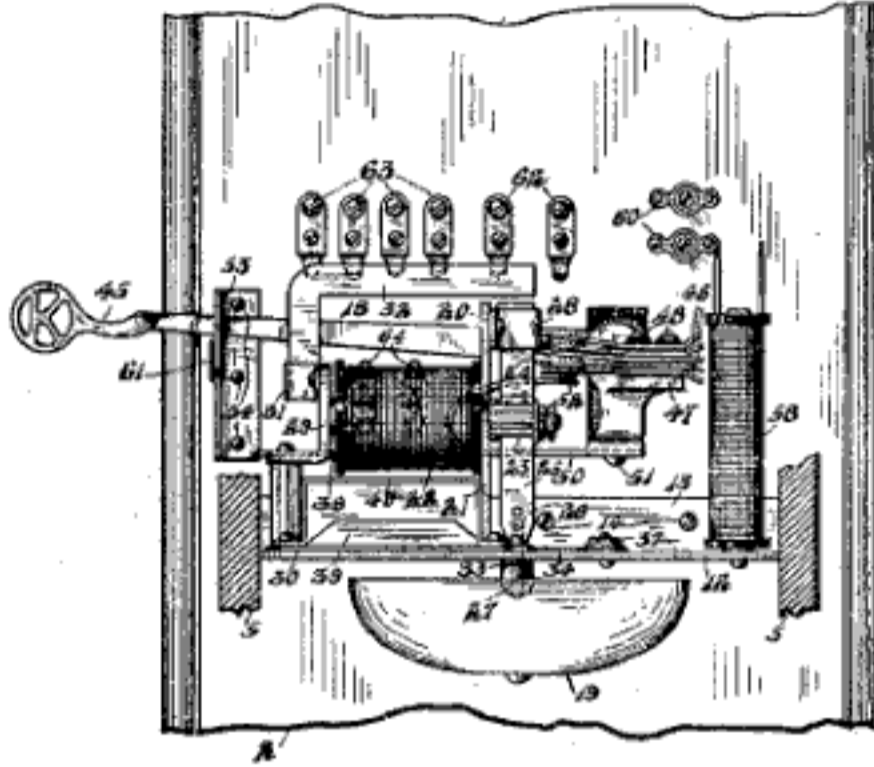


Fig. 5.

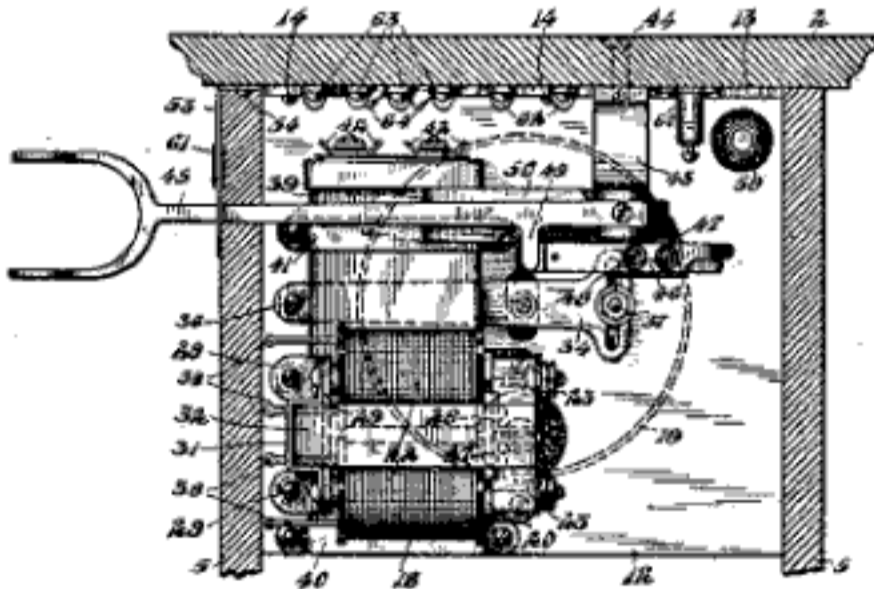


Fig. 6.

Witnesses.  
*R. L. Burford*  
*Henry B. Miller*

Inventor:  
*William W. Dean,*  
by *Robert Lewis Ames,*  
Attorney.



Fig. 1

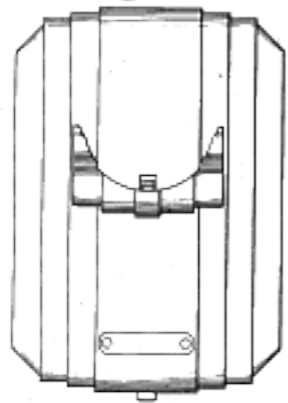


Fig. 2

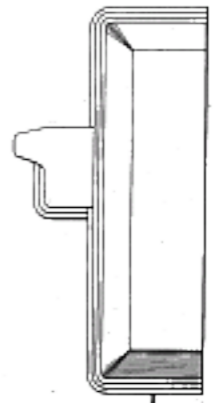
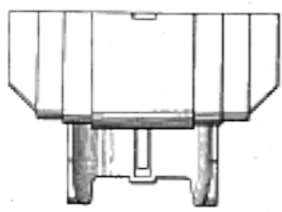
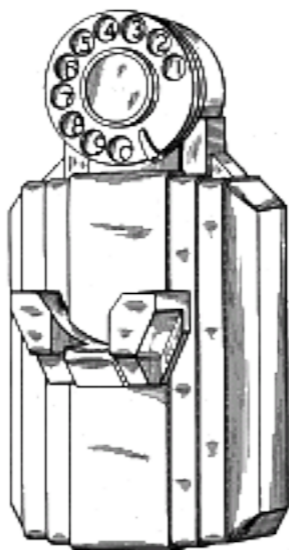


Fig. 3



Inventors:  
 Morris Rose and  
 Nils A. Judson.

By *CPA*



*INVENTORS:*  
Nils F. Judson  
Morris Foss

*By* *C. S. Sofar*  
Eng.



W. KAISLING.  
CALLING DEVICE.

APPLICATION FILED APR. 26, 1911.

Patented May 26, 1914.

1,097,644.

3 SHEETS-SHEET 2.

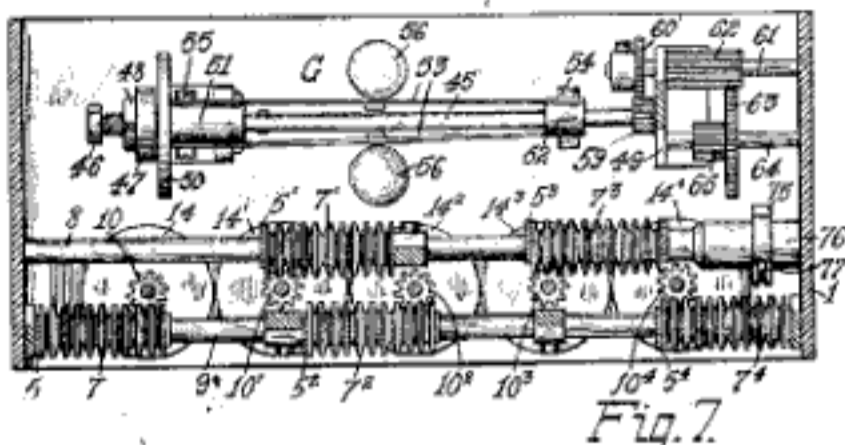


Fig. 7.

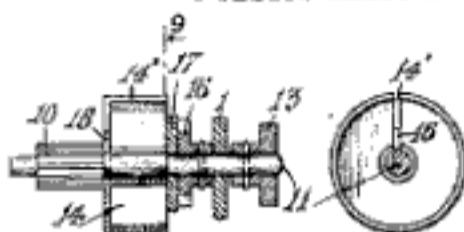


Fig. 8.

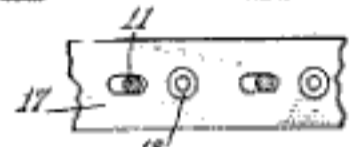


Fig. 9.

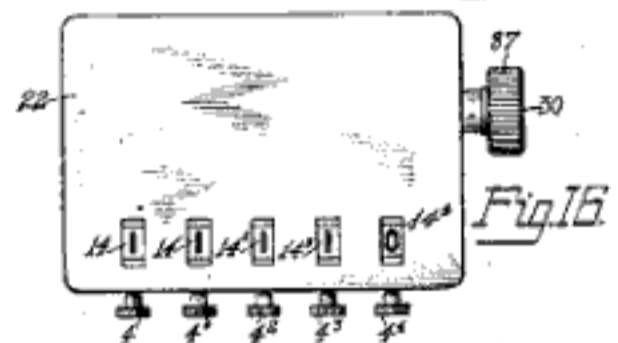


Fig. 16.

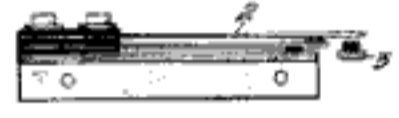


Fig. 15.

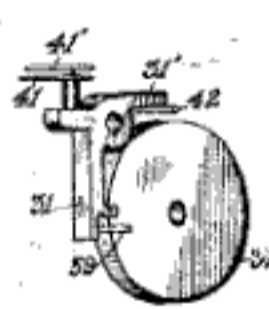


Fig. 10.

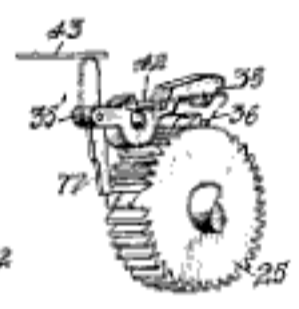


Fig. 11.

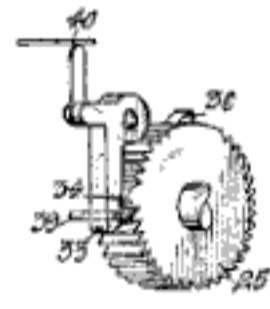


Fig. 12.

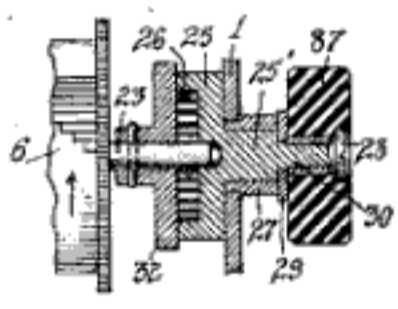


Fig. 13.

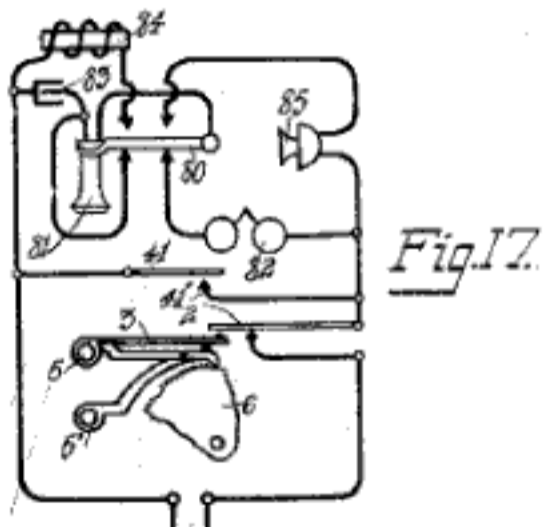


Fig. 17.

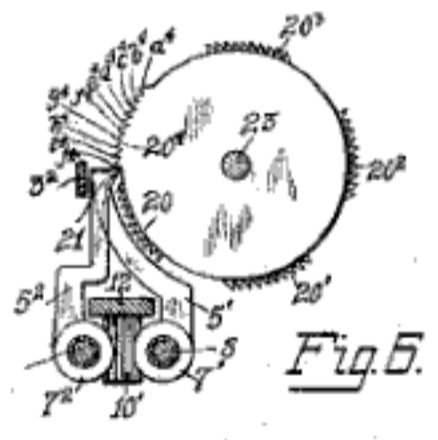


Fig. 5.

Witnesses:  
George C. Muller  
Wm. Beigbahn

Inventor:  
William Kaisting  
By Curtis Bluff  
Attorney.

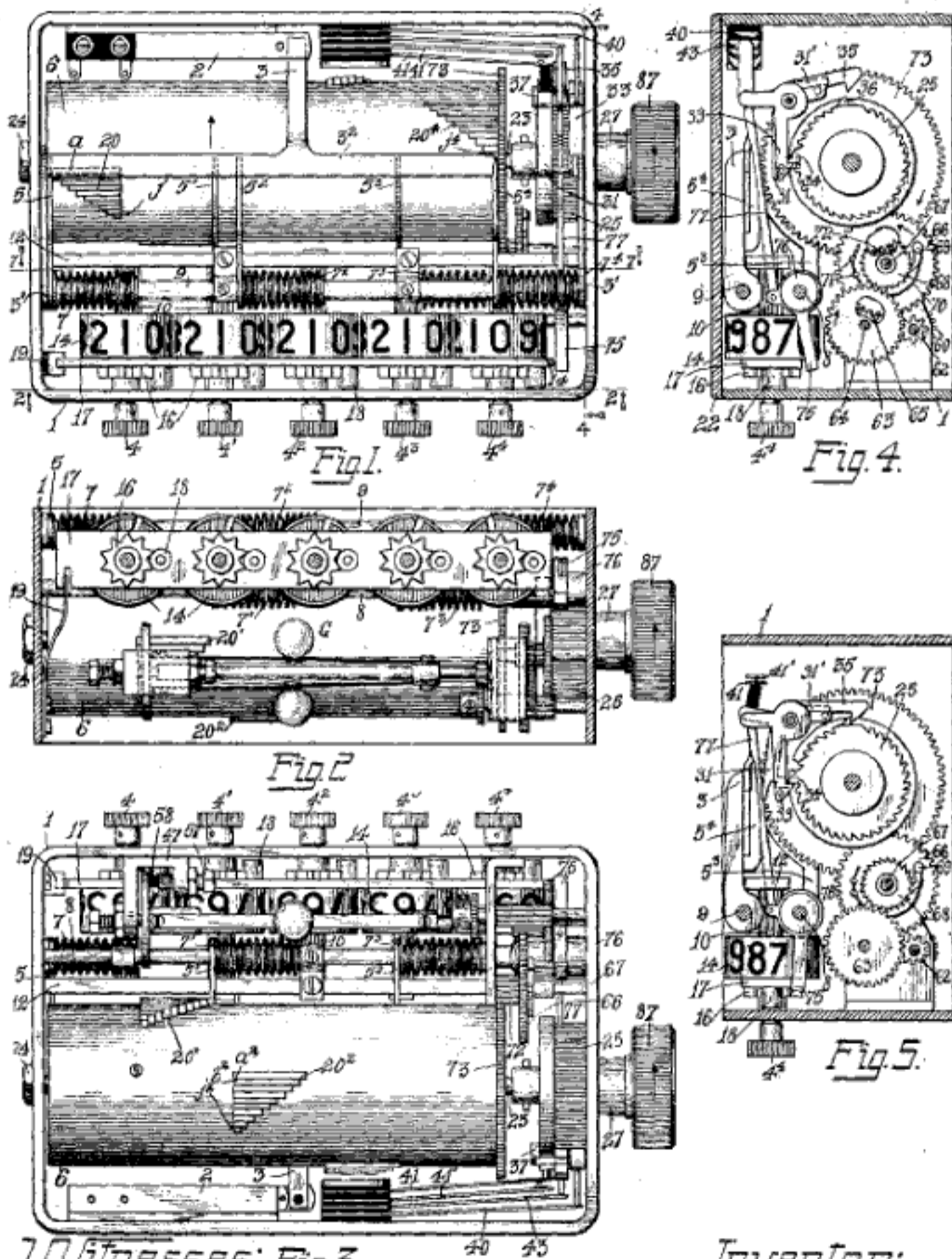
W. KAISLING.  
CALLING DEVICE.

APPLICATION FILED APR. 26, 1911.

Patented May 26, 1914.

1,097,644.

2 SHEETS-SHEET 1.



Witnesses: Fig. 3.  
George C. Mueller  
Wm. Berghahn

Inventor:  
William Kaisling  
By Curtis Bluff  
Attorney.

W. KAISLING,  
TRANSMITTER ARM.  
APPLICATION FILED DEC. 8, 1902.

NO MODEL.

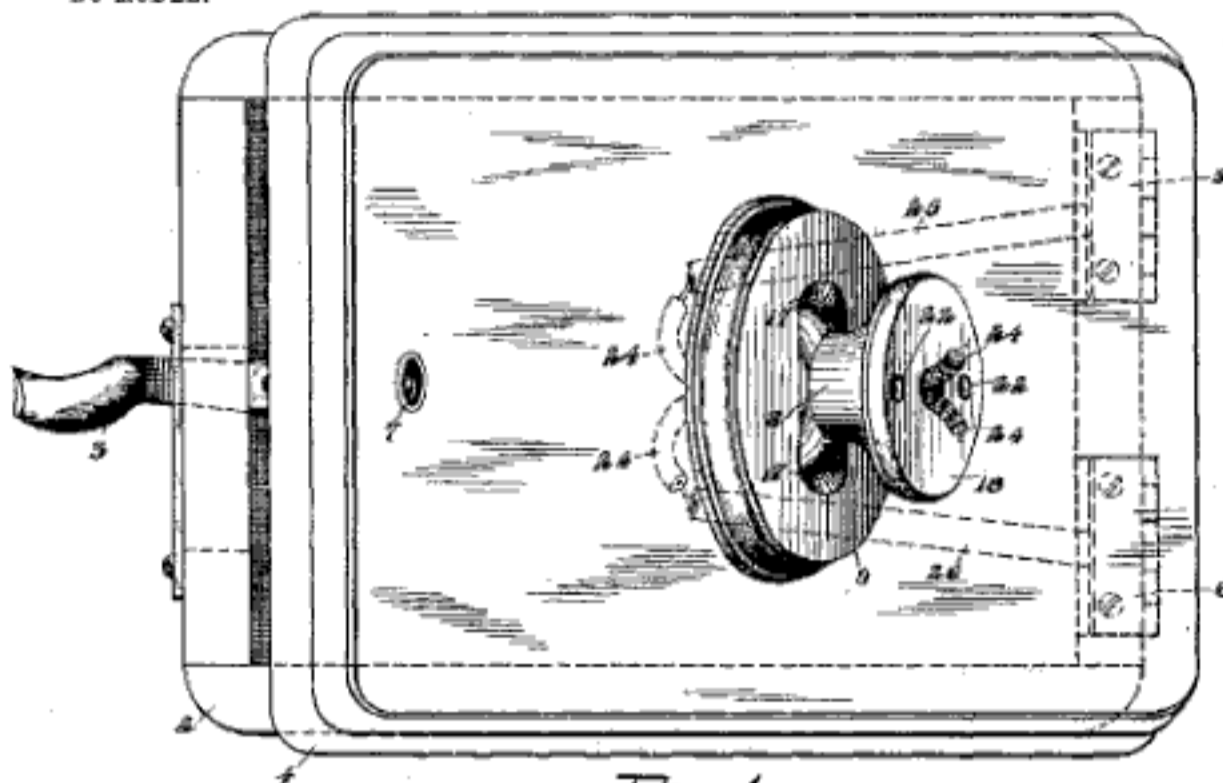


Fig. 1.

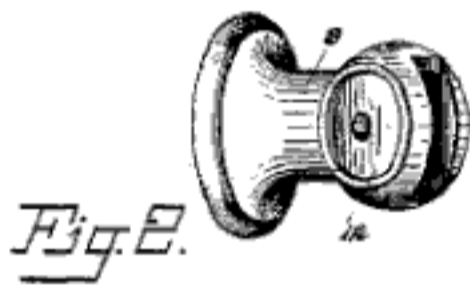


Fig. 2.

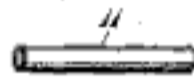


Fig. 4.

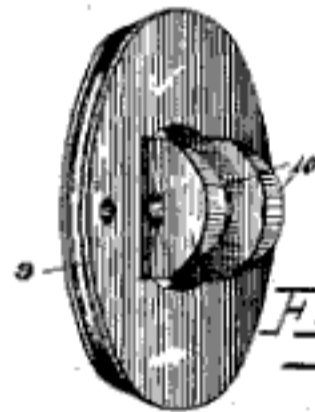


Fig. 3.

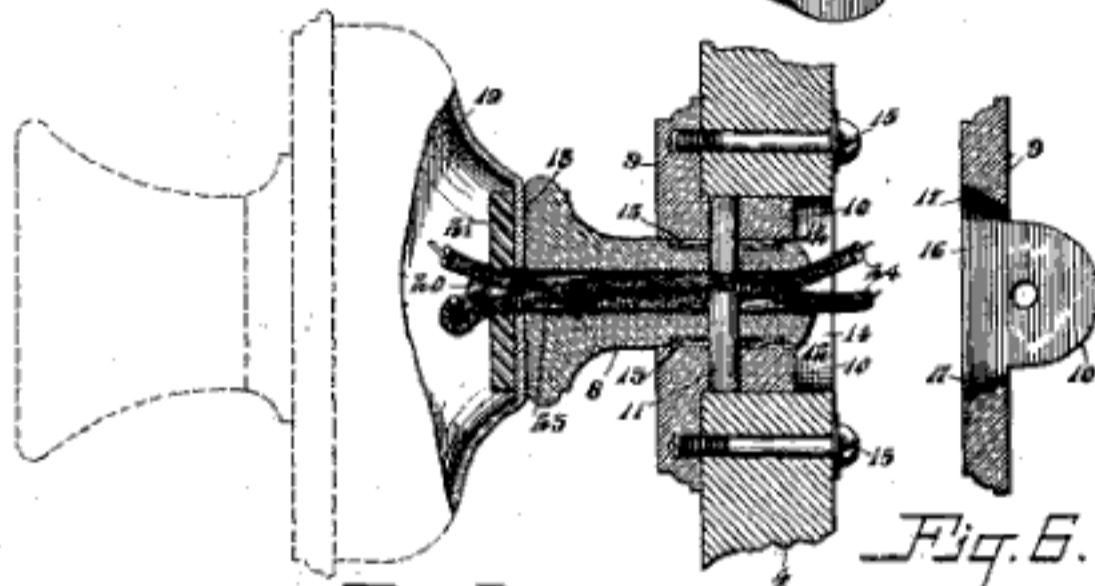


Fig. 5.

Fig. 6.

Witnesses.  
R. H. Bredford  
Gayelle Beder

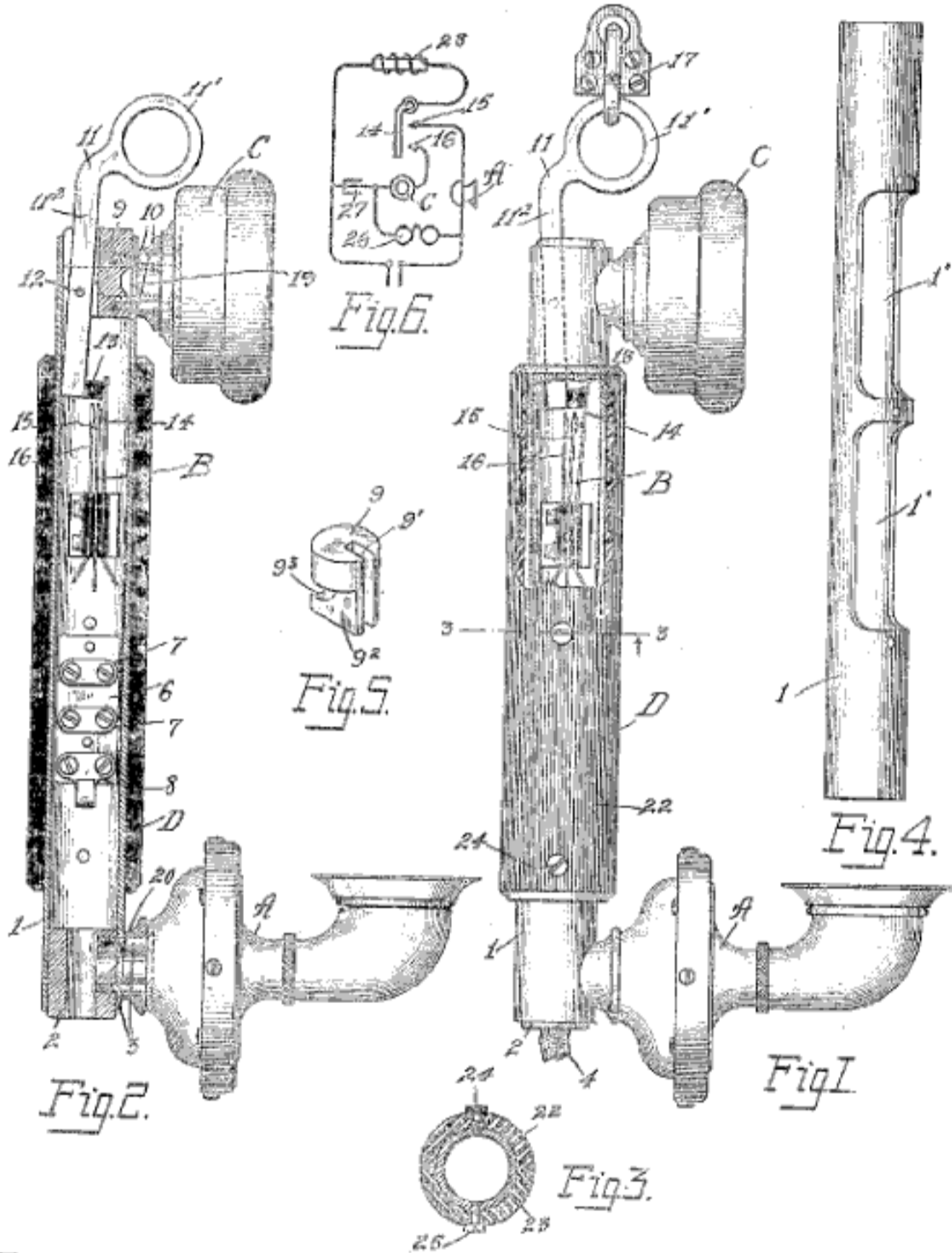
Inventor:-  
William Kaisling,  
by Robert Lewis Ames,  
Attorney.

L. ERICSON.  
MICROPHONE.

APPLICATION FILED AUG. 18, 1912.

1,083,926.

Patented Jan. 13, 1914.



Witnesses:  
G. E. Mueller  
Wm. Berghahn

Inventor:  
Lawrence Ericson  
By Curtis B. Camp  
Attorney.

A. H. WEISS.

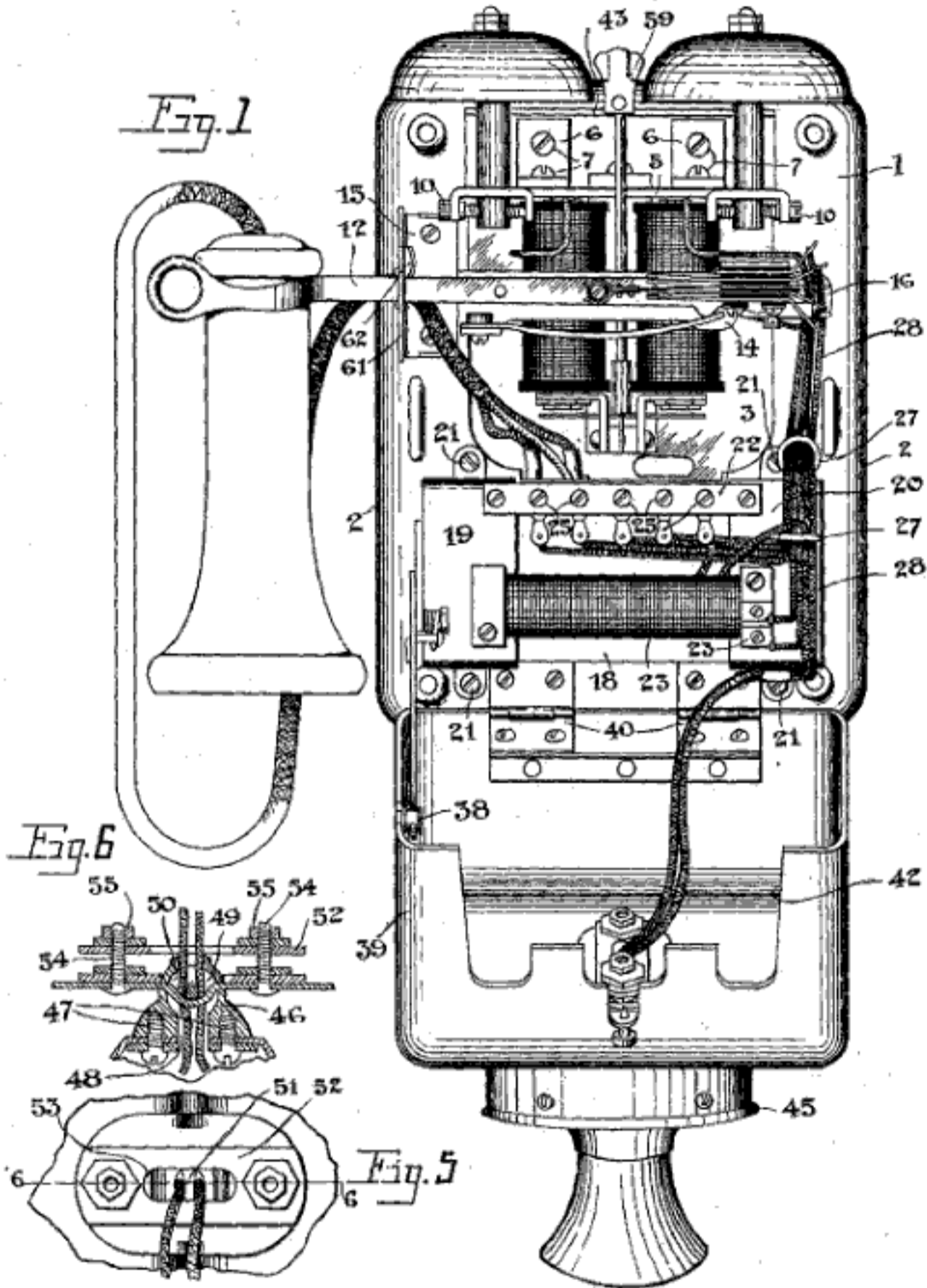
WALL SET.

APPLICATION FILED JUNE 17, 1908.

976,962.

Patented Nov. 29, 1910.

2 SHEETS-SHEET 1.



Witnesses  
D. E. Hadley  
C. L. Bradbury.

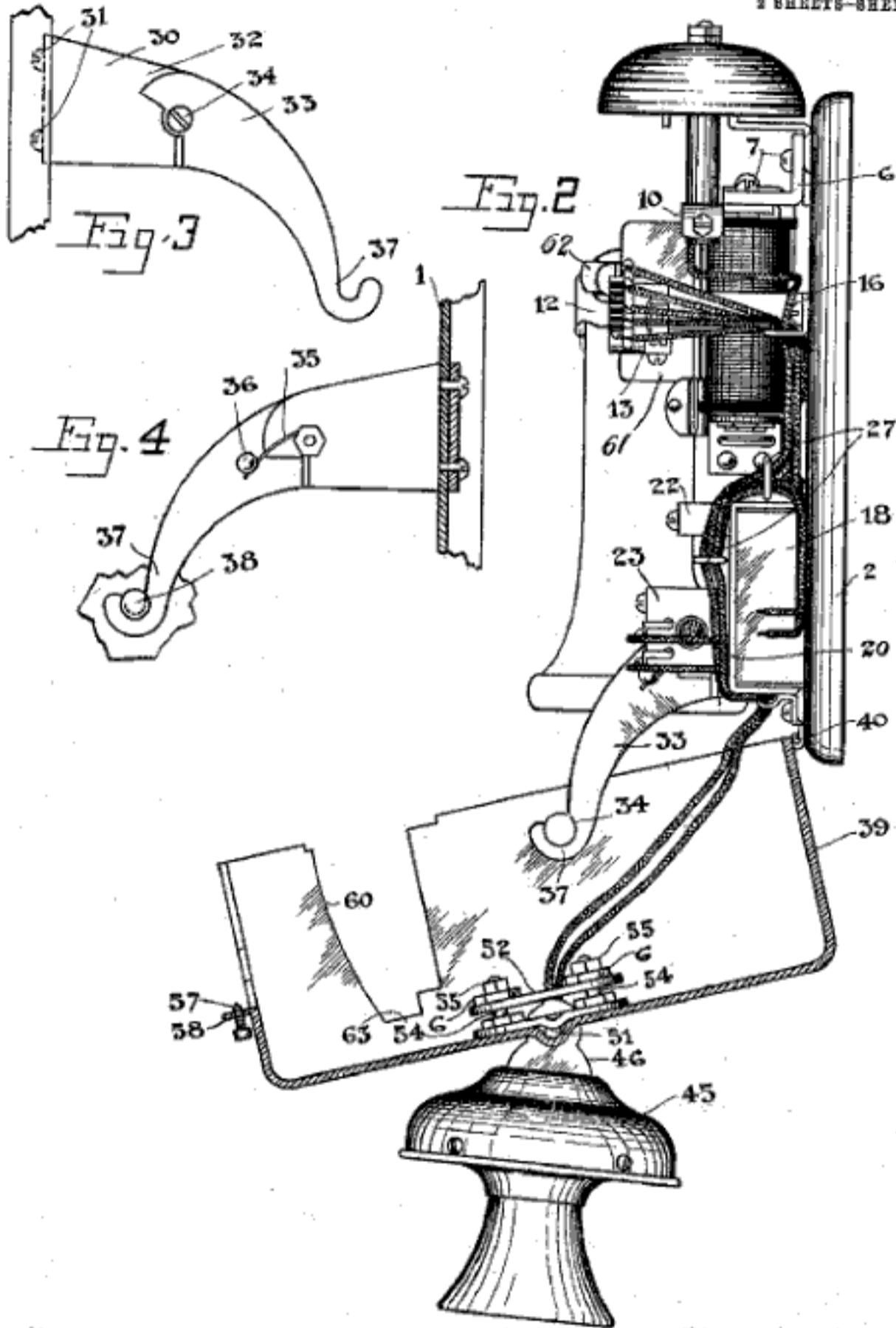
Alfred H. Weiss  
Inventor  
By Curtis Blampf  
Attorney

A. H. WEISS.  
 WALL SET.  
 APPLICATION FILED JUNE 17, 1908.

976,962.

Patented Nov. 29, 1910.

2 SHEETS—SHEET 1.



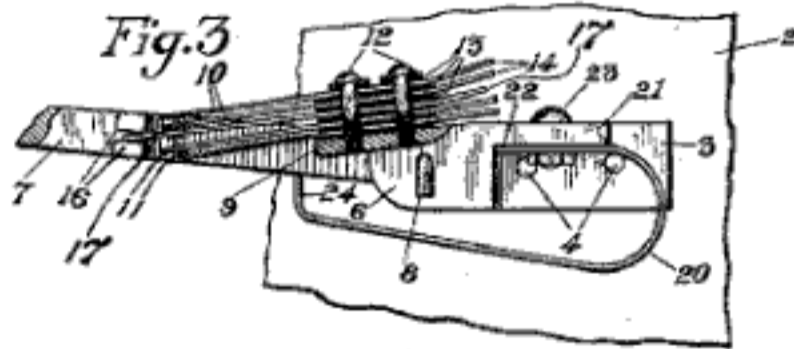
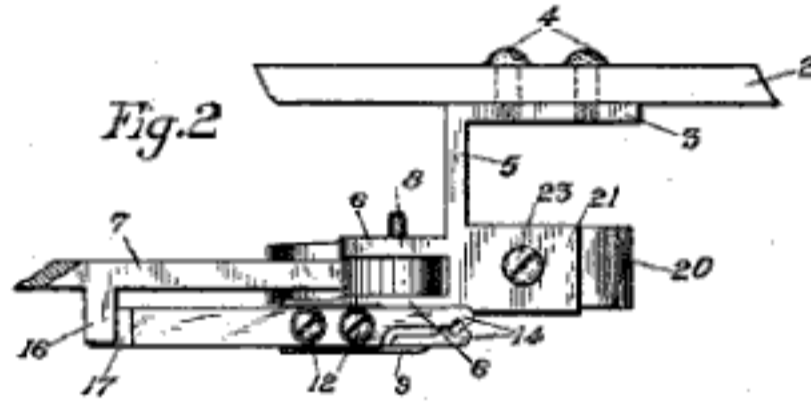
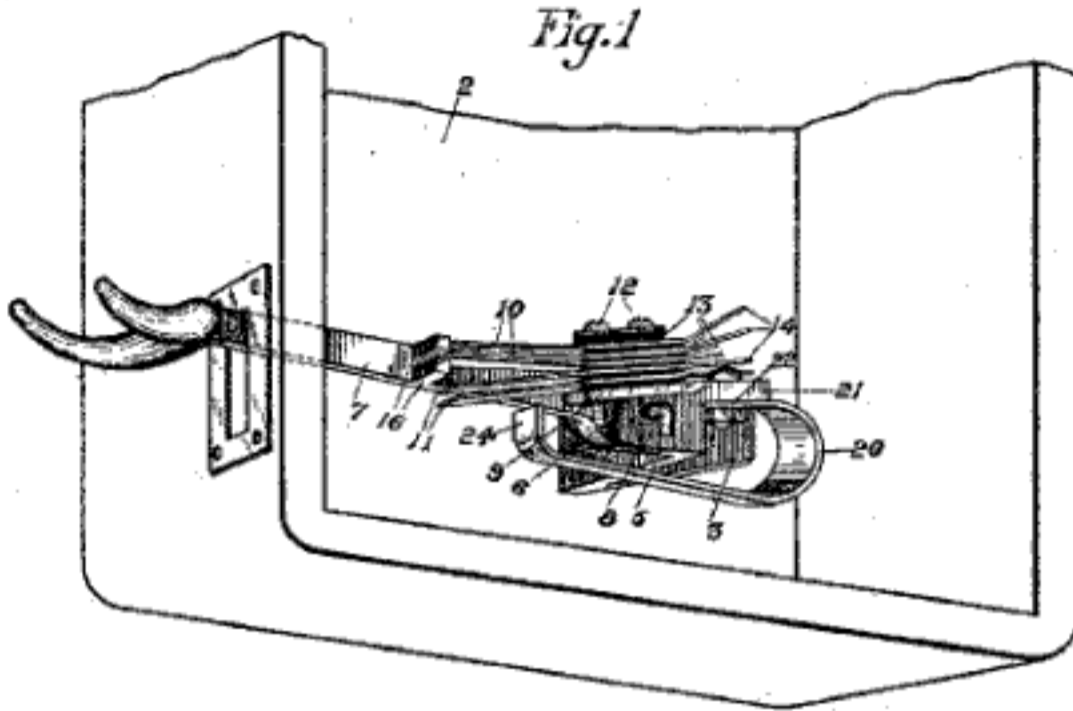
Witnesses  
 D. C. Hadley  
 C. L. Bradbury

Alfred H. Weiss  
 Inventor.  
 By Curtis Blamp  
 Attorney.

W. W. DEAN.  
TELEPHONE HOOK SWITCH.  
(Application filed May 9, 1901.)

(No Model.)

2 Sheets—Sheet 1.



Witnesses.  
*R. H. Buford*  
*Kempster Brice*

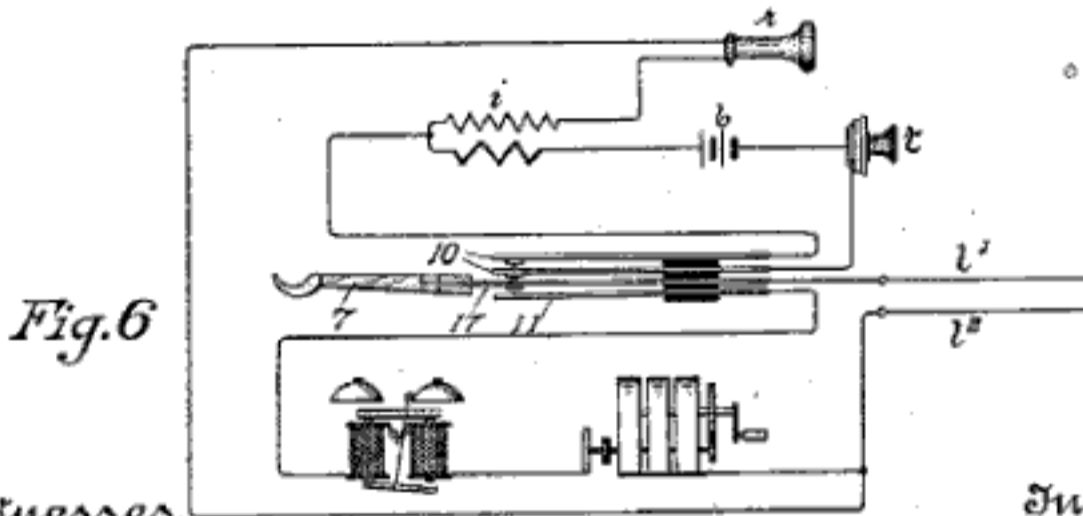
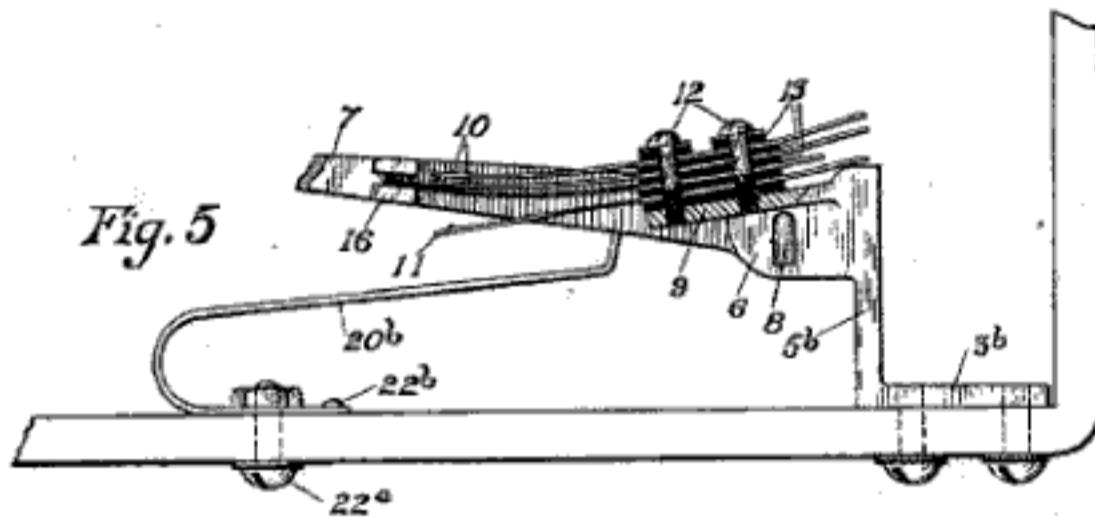
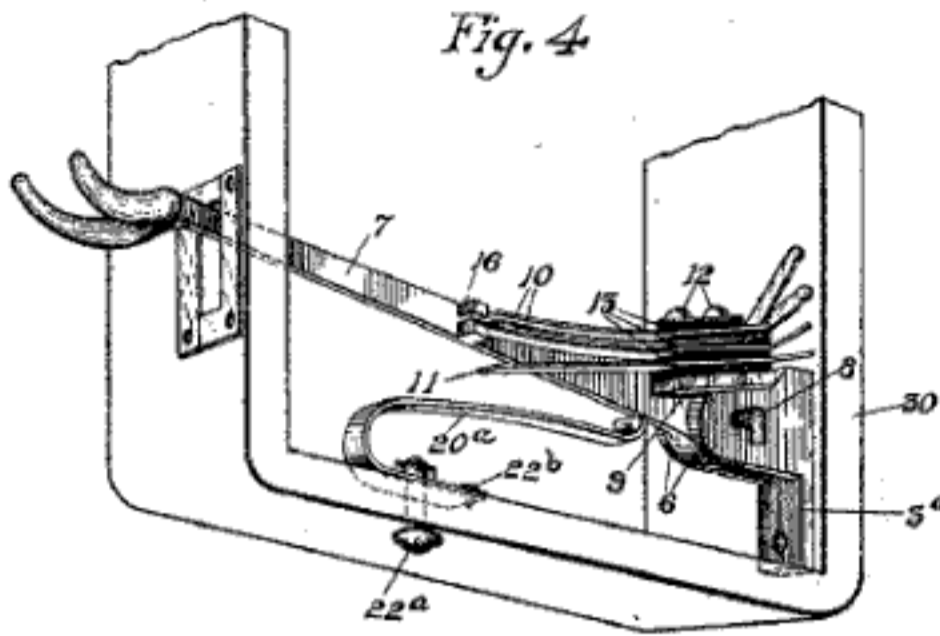
Inventor.  
 William W. Dean.  
 by *Robert Lewis Ames*,  
 Attorney.

W. W. DEAN.  
TELEPHONE HOOK SWITCH.

(Application filed May 9, 1901.)

(No Model.)

2 Sheets—Sheet 2.



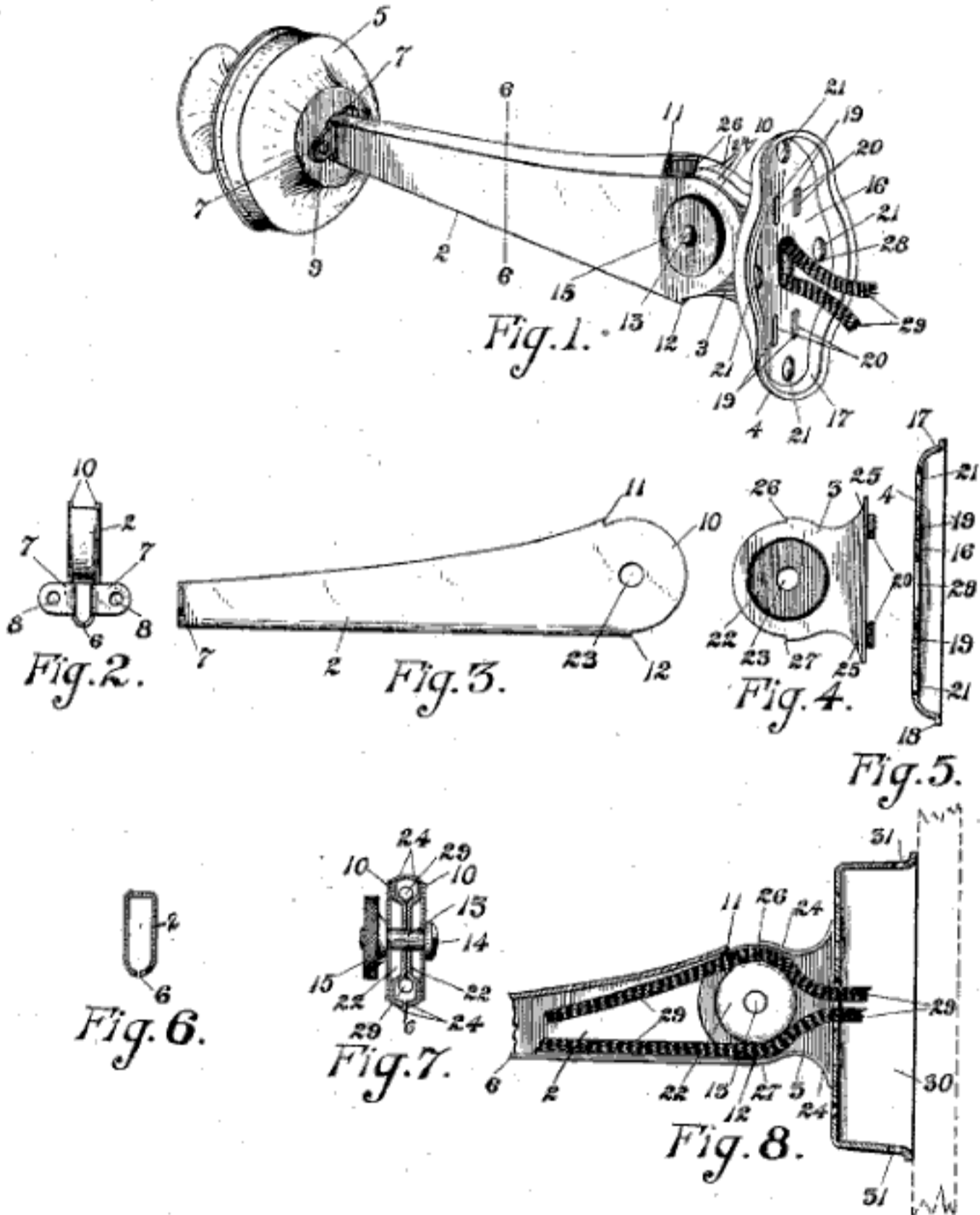
Witnesses.  
*R. L. Bodford*  
*Kempster B. Miller*

Inventor.  
 William W. Dean.  
 by *Robert Lewis Ames*,  
 Attorney.

No. 838,745.

PATENTED OCT. 23, 1906.

J. A. LOFF.  
TELEPHONE TRANSMITTER ARM.  
APPLICATION FILED DEC. 6, 1901.



Witnesses.  
E. H. Ames.  
M. E. Dodge.

Inventor.  
John A. Loff,  
by Robert Lewis Ames,  
Attorney.

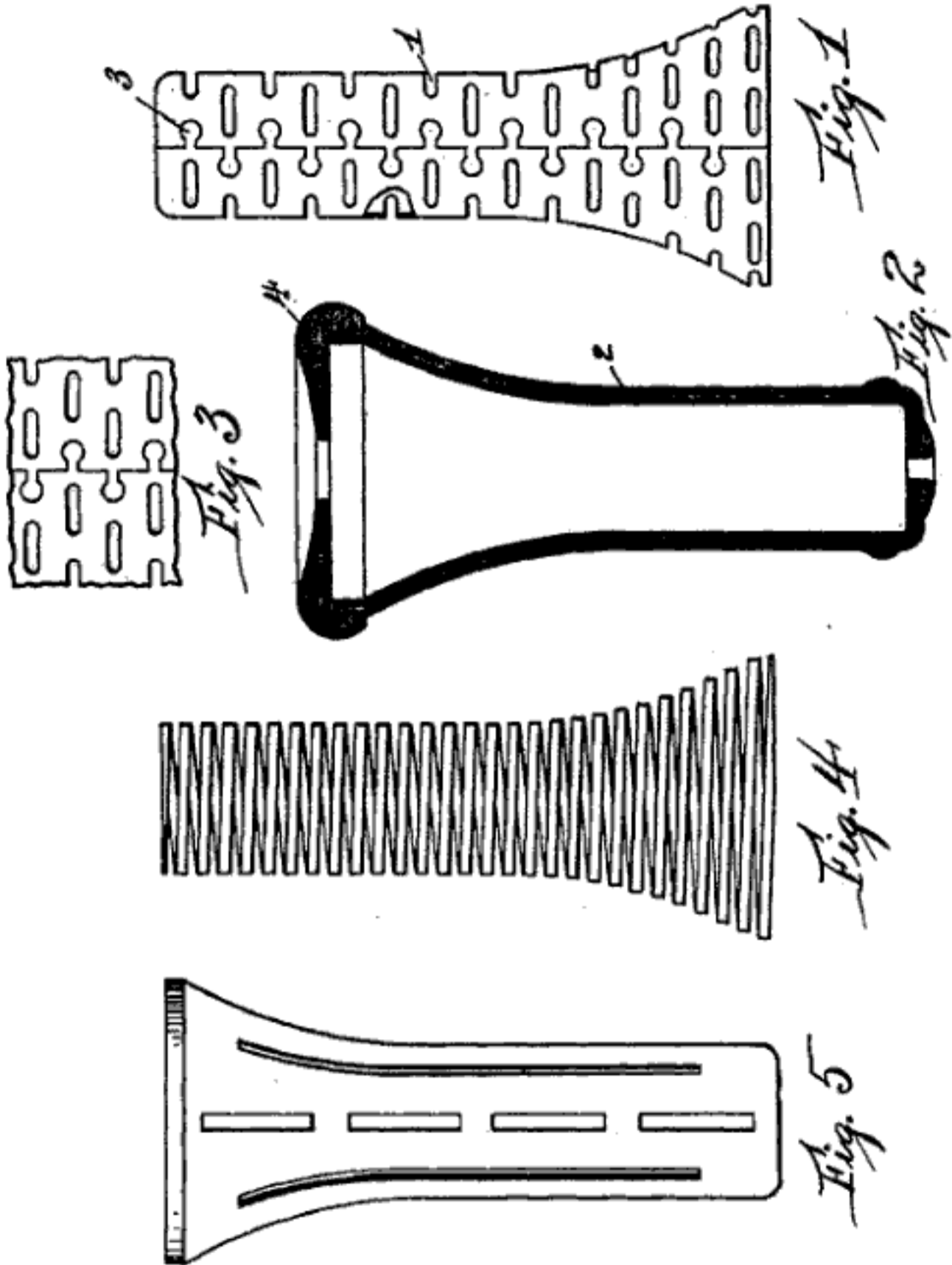
J. B. EDWARDS.

METHOD OF STRENGTHENING RECEIVER SHELLS.

APPLICATION FILED MAR. 9, 1910. RENEWED JAN. 3, 1911.

1,115,519.

Patented Nov. 3, 1914.



Witnesses  
George E. Muller  
Marjorie C. Grier

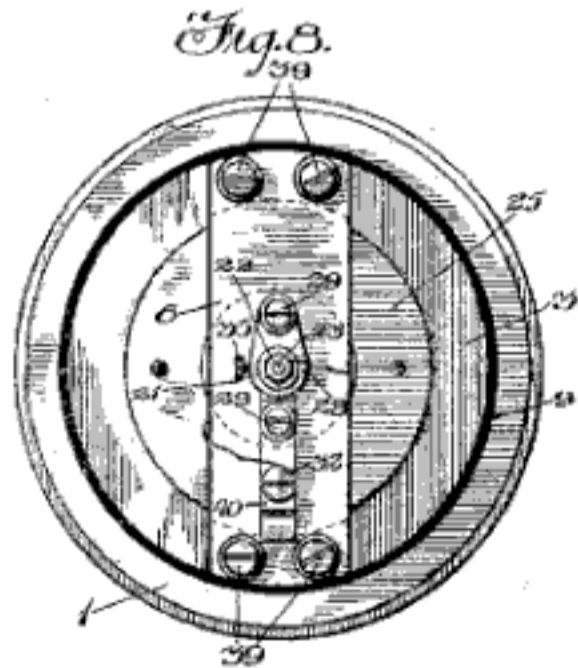
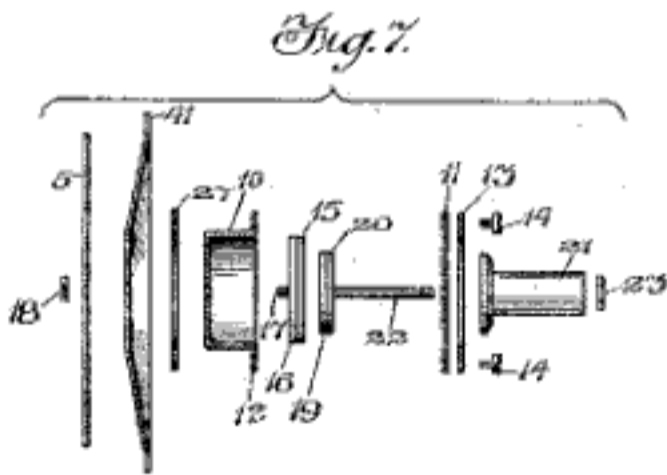
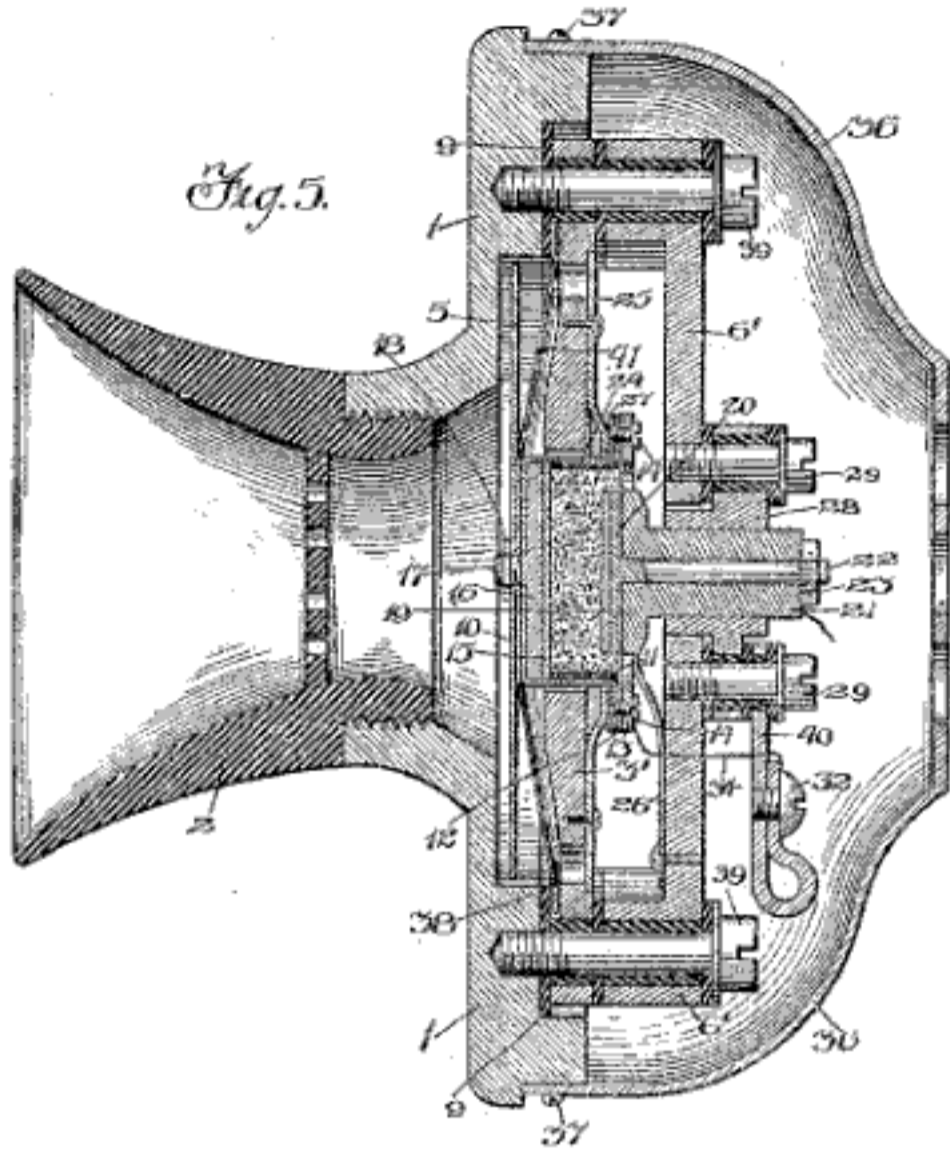
Inventor  
Joseph B. Edwards

J. B. EDWARDS.  
 TELEPHONE TRANSMITTER.  
 APPLICATION FILED MAY 5, 1905.

909,566.

Patented Jan. 12, 1909.

2 SHEETS—SHEET 1.



Witnesses:  
 Emil E. Hartmann  
 E. F. Green

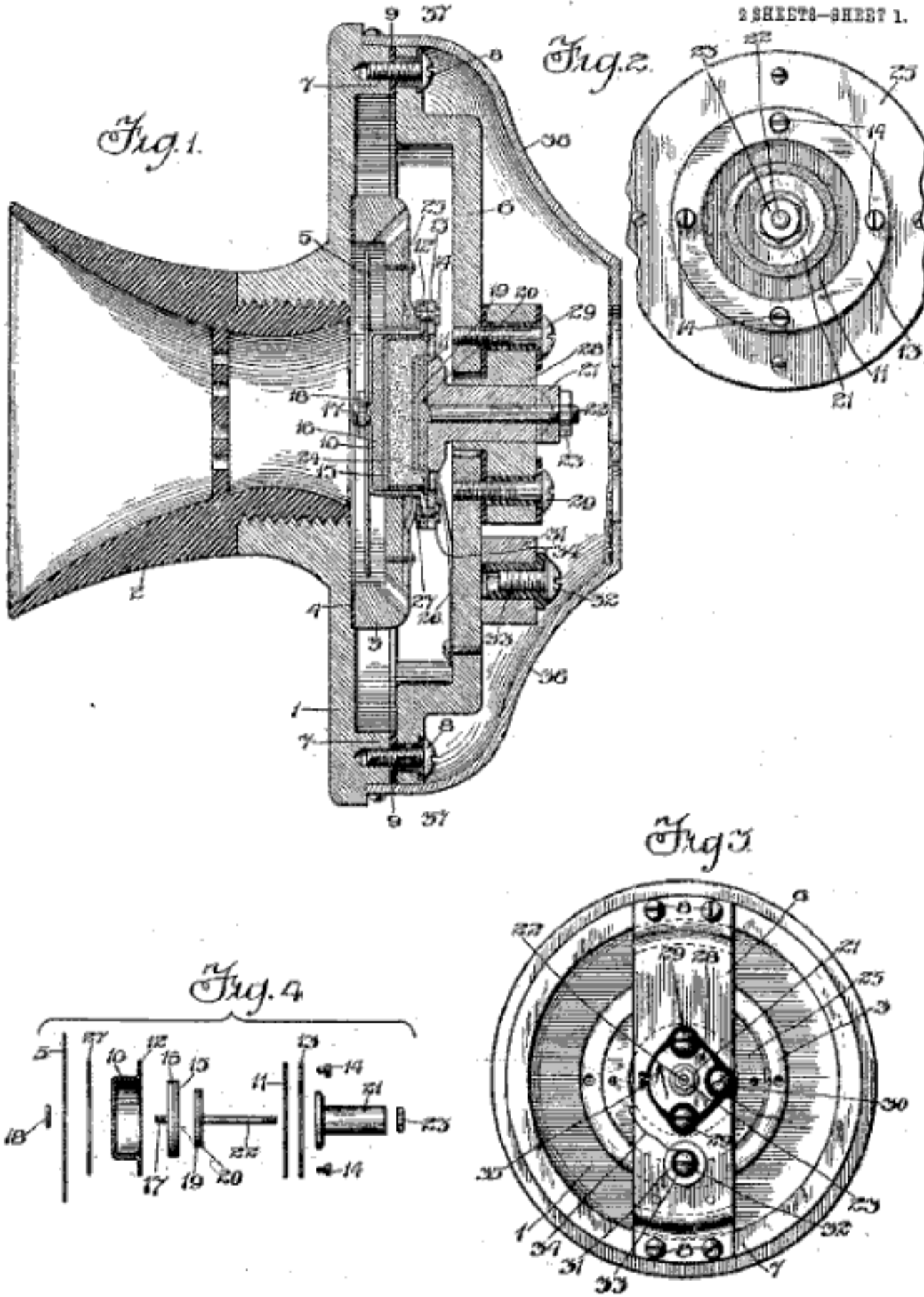
Inventor:  
 Joseph B. Edwards  
 By Curtis & Camp  
 Attys.

J. B. EDWARDS.  
 TELEPHONE TRANSMITTER.  
 APPLICATION FILED MAY 6, 1906

909,566.

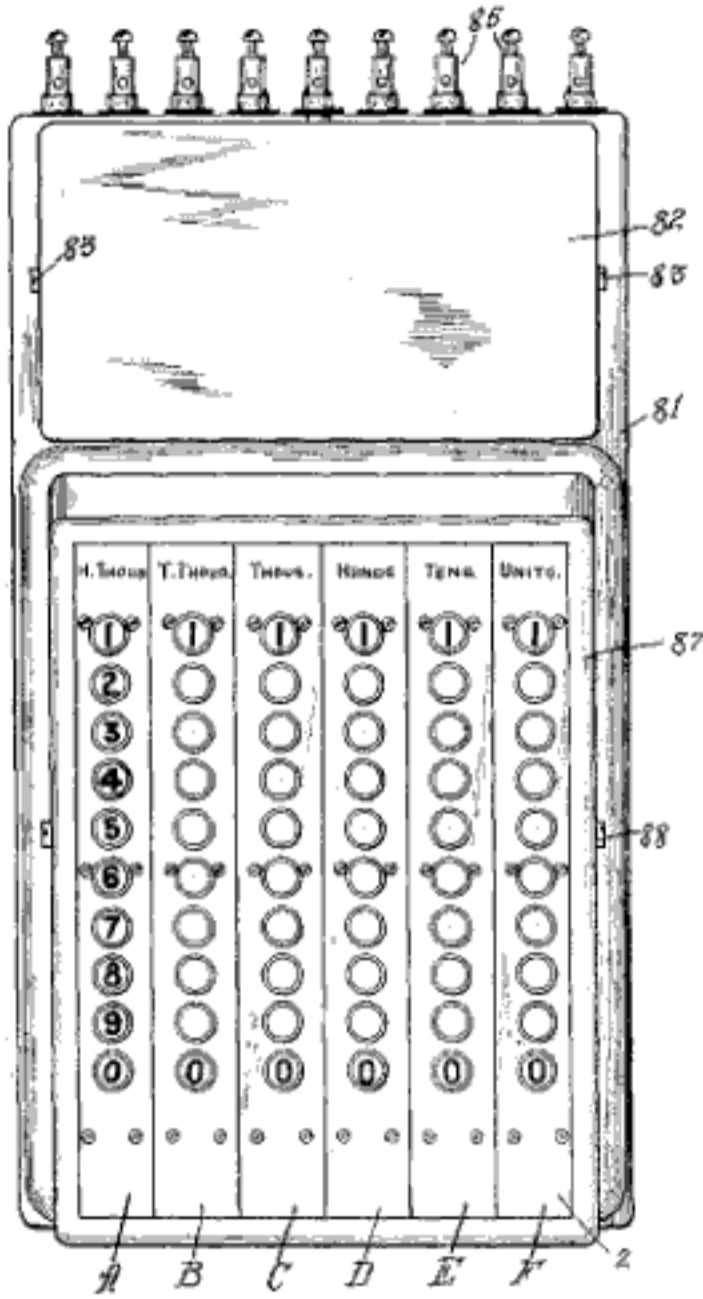
Patented Jan. 12, 1909.

2 SHEETS—SHEET 1.

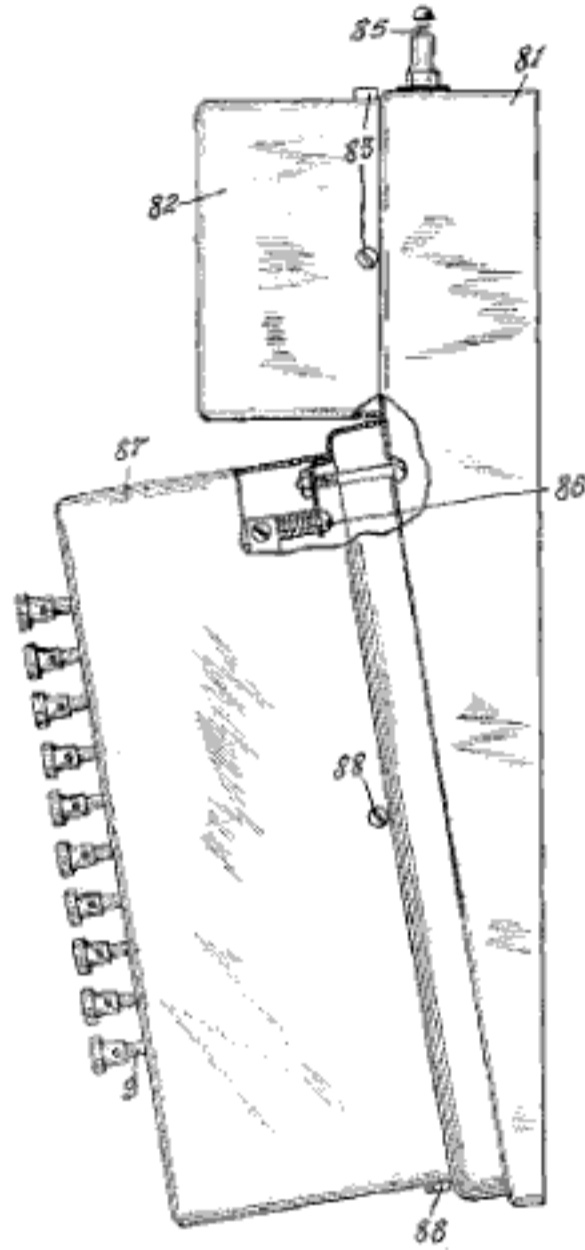


Witnesses:  
 Emil B. Wetters  
 E. J. Grier

Inventor:  
 Joseph B. Edwards  
 By Curtis B. Camp  
 Atty.



*Fig. 1.*



*Fig. 2.*

Witnesses:

*G. E. Muller*  
*Wm. Berghahn*

Inventor:

*William Kaisling*  
 By *Curtis Blamp*  
 Attorney

W. KAISLING.  
 OPERATOR'S CALLING DEVICE.  
 APPLICATION FILED SEPT. 19, 1912.

1,154,250.

Patented Sept. 21, 1915.  
 5 SHEETS—SHEET 2.

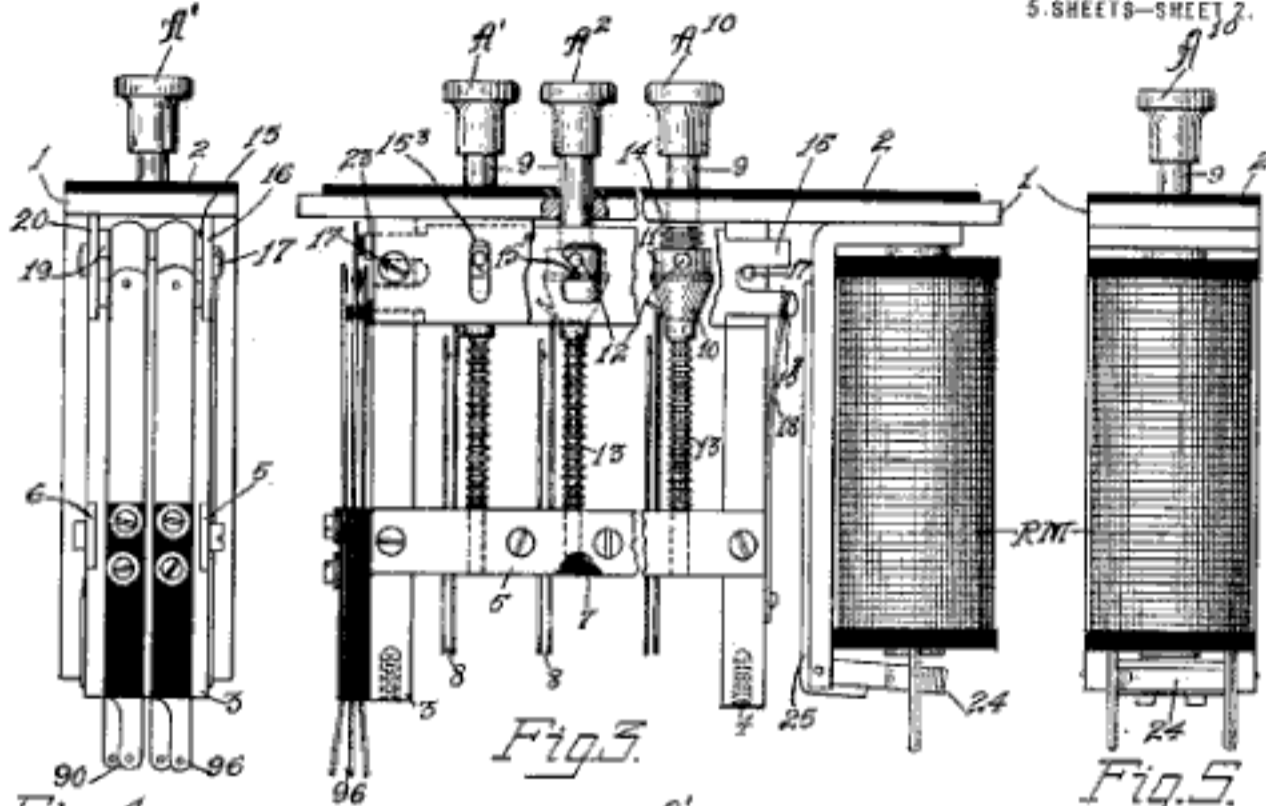


Fig. 4.

Fig. 5.

Fig. 5.

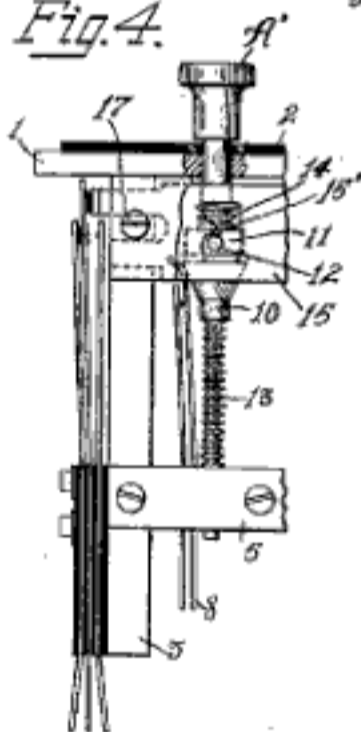


Fig. 6.

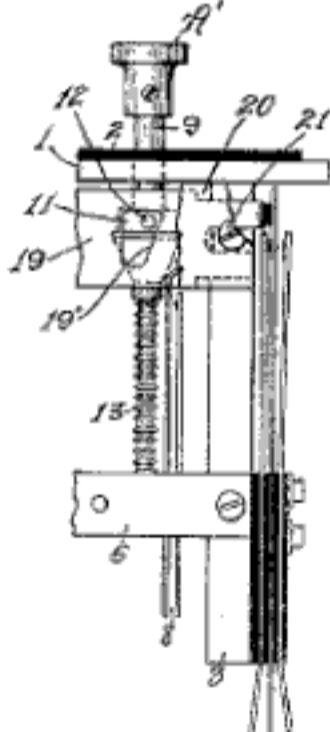


Fig. 7.

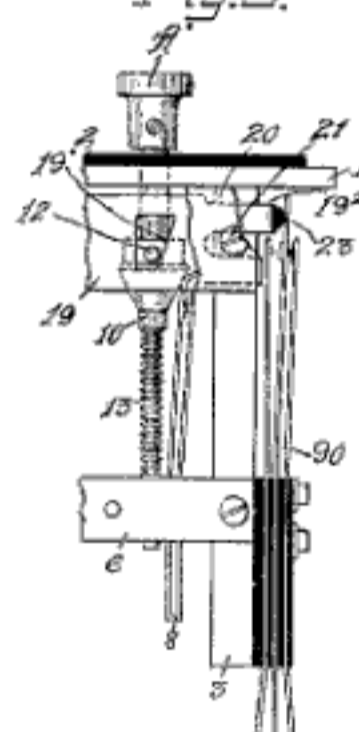


Fig. 8.

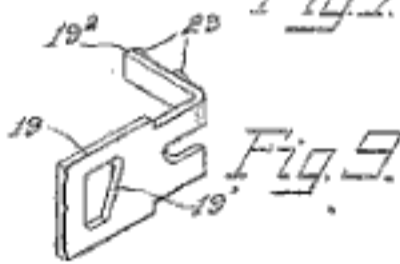


Fig. 9.

Witnesses:

G. E. Mueller  
 Wm. Berghahn

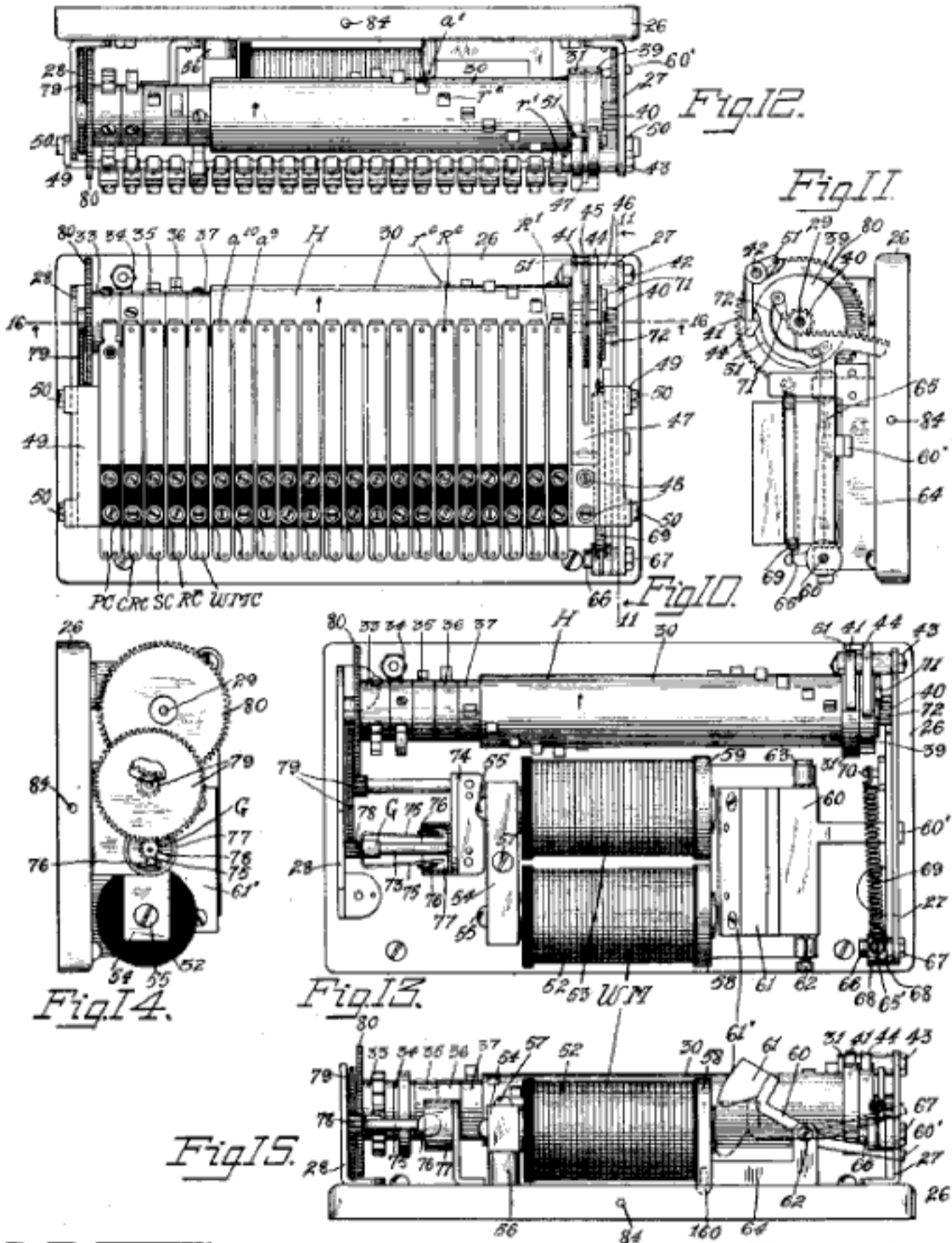
Inventor:

W. K. Kaisling  
 By Curtis Stumpf  
 Attorney

W. KAISLING.  
 OPERATOR'S CALLING DEVICE.  
 APPLICATION FILED SEPT. 19, 1912.

1,154,250.

Patented Sept. 21, 1915.  
 5 SHEETS—SHEET 3.



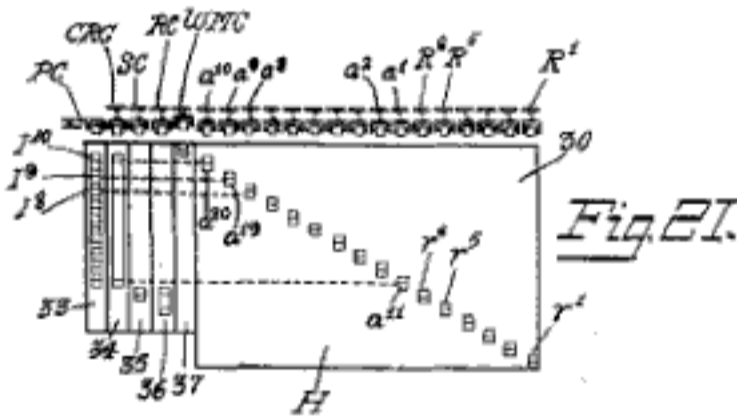
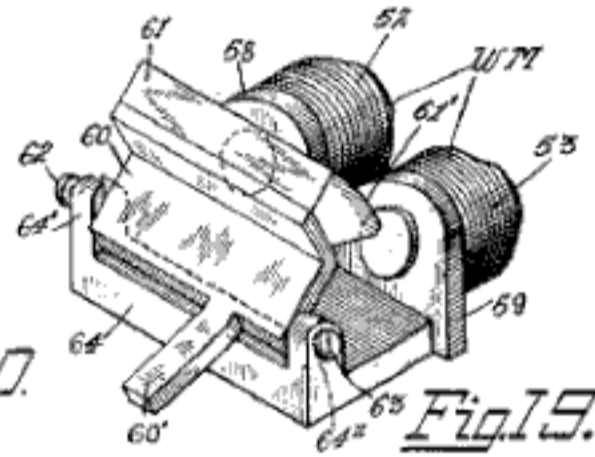
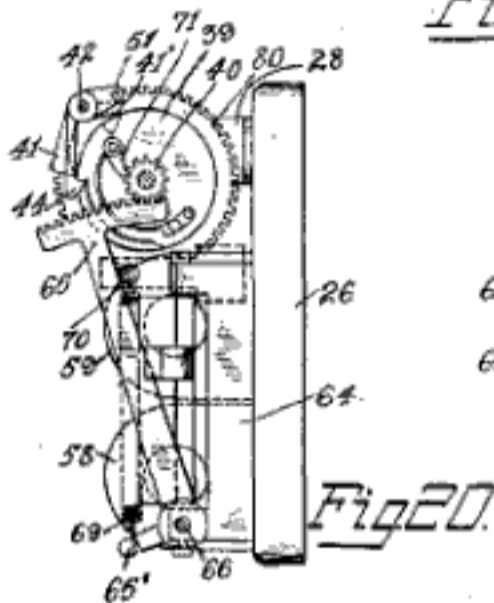
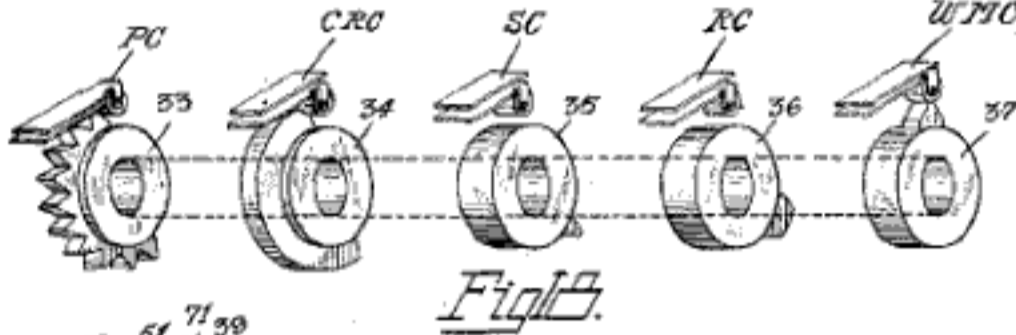
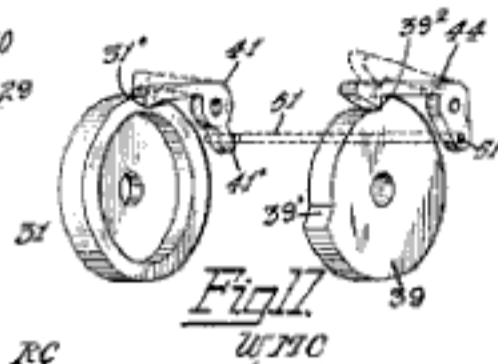
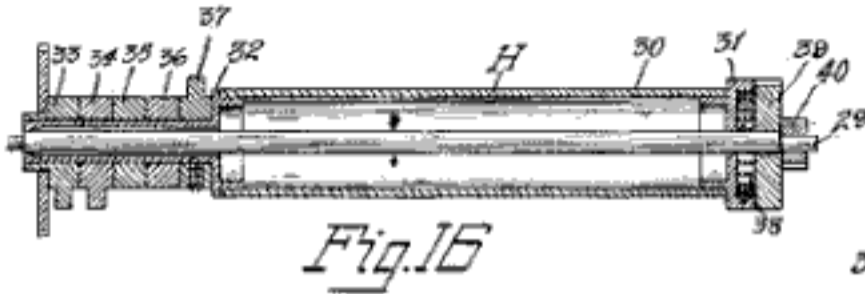
Witnesses:  
*G. E. Mueller*  
*Wm Birghahn*

Inventor  
*William Kaising*  
 By *Curtis Camp*  
 Attorney

W. KAISLING.  
 OPERATOR'S CALLING DEVICE.  
 APPLICATION FILED SEPT. 19, 1912.

1,154,250.

Patented Sept. 21, 1915.  
 5 SHEETS—SHEET 4.



Witnesses:  
*G. E. Mueller*  
*Wm. B. Orphan*

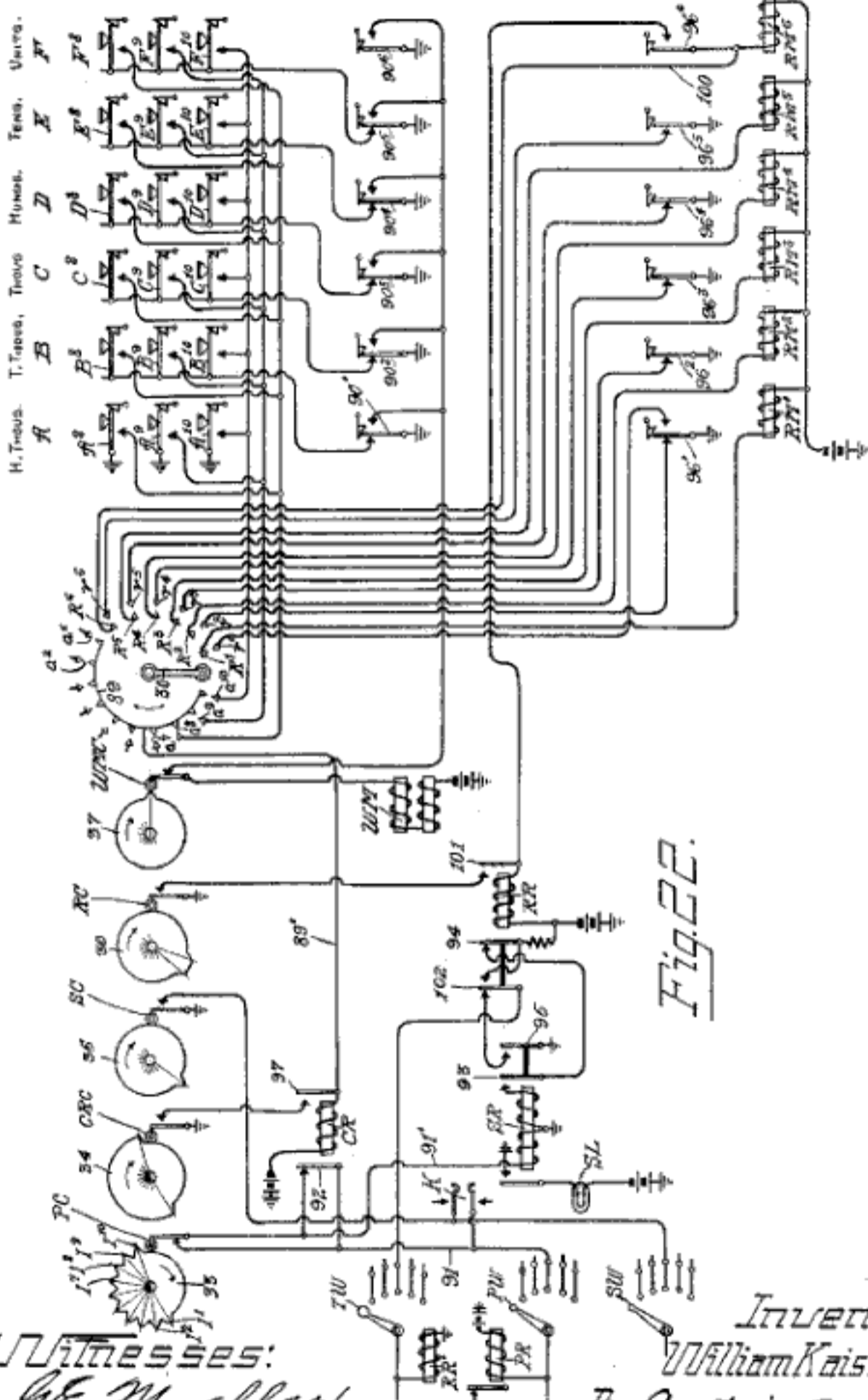
Inventor:  
*William Kaisling*  
 By *Curtis B. Camp*  
 Attorney.

W. KAISLING.  
 OPERATOR'S CALLING DEVICE.  
 APPLICATION FILED SEPT. 19, 1912.

1,154,250.

Patented Sept. 21, 1915.

5 SHEETS—SHEET 5.



Witnesses:  
*G. E. Mueller*  
*Wm Berghahn*

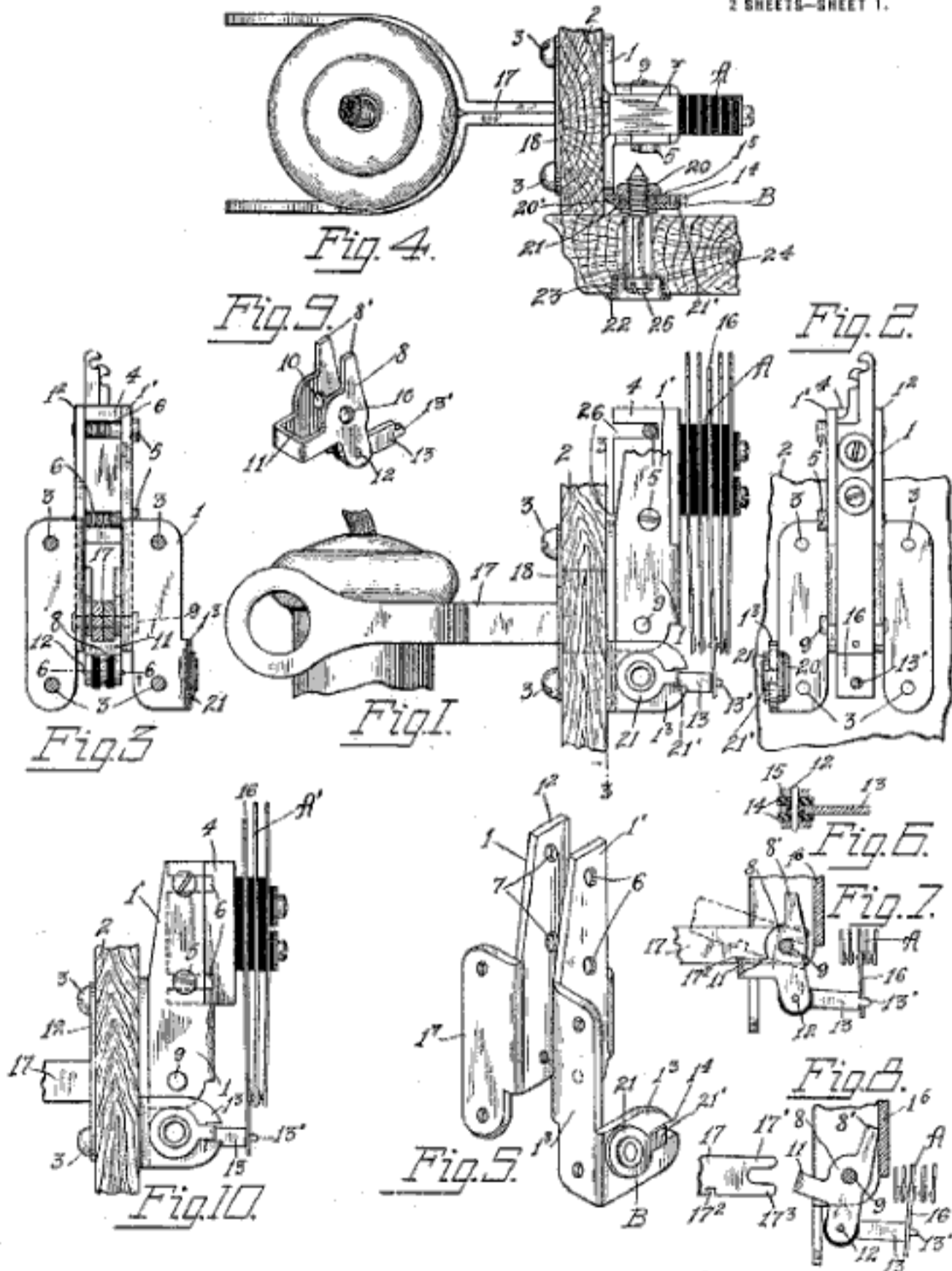
Inventor:  
*William Kaisling*  
 By *Curtis Blaup*  
 Attorney.

W. KAISLING.  
 TELEPHONE SWITCH HOOK.  
 APPLICATION FILED NOV. 1, 1912.

1,195,590.

Patented Aug. 22, 1916.

2 SHEETS—SHEET 1.



Witnesses:  
 George C. Muller  
 Wm. Berghahn

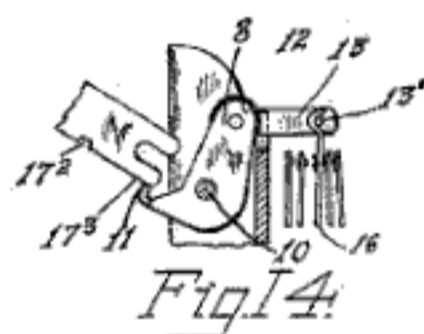
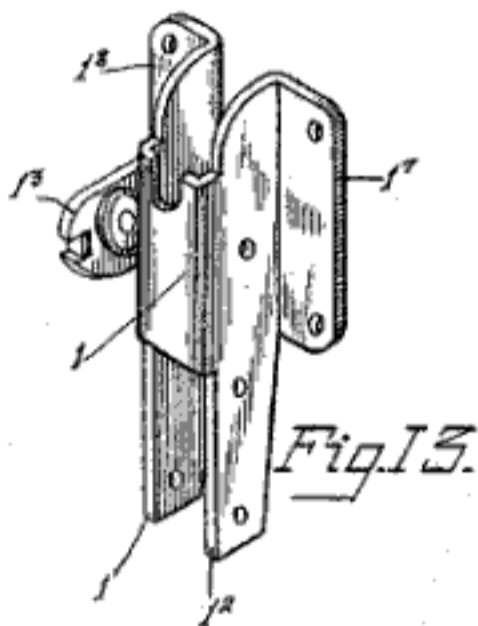
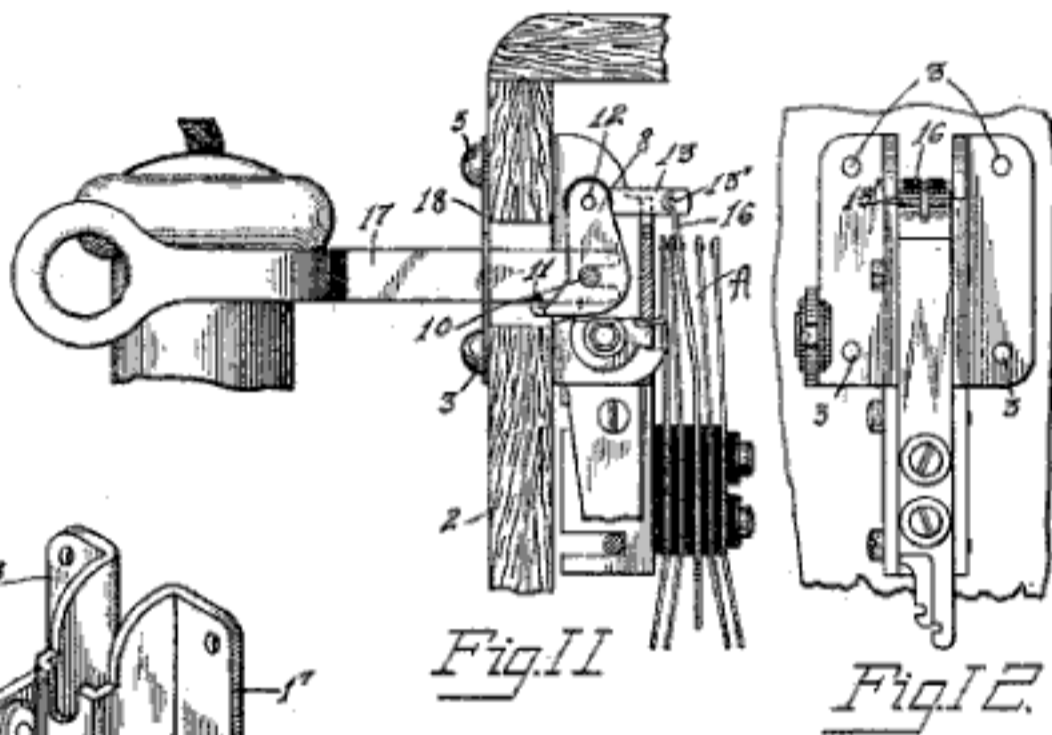
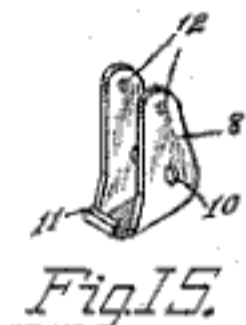
Inventor:  
 William Kaisling  
 By Curtis Blumf.  
 Attorney.

W. KAISLING.  
 TELEPHONE SWITCH HOOK.  
 APPLICATION FILED NOV. 1, 1912.

1,195,590.

Patented Aug. 22, 1916.

2 SHEETS—SHEET 2.



Witnesses:  
 George E. Mueller  
 Wm. Berghahn

Inventor:  
 William Kaisting.  
 By Curtis Blumf.  
 Attorney

W. W. DEAN.  
BELL.

APPLICATION FILED MAR. 24, 1902.

NO MODEL.

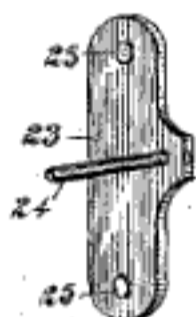
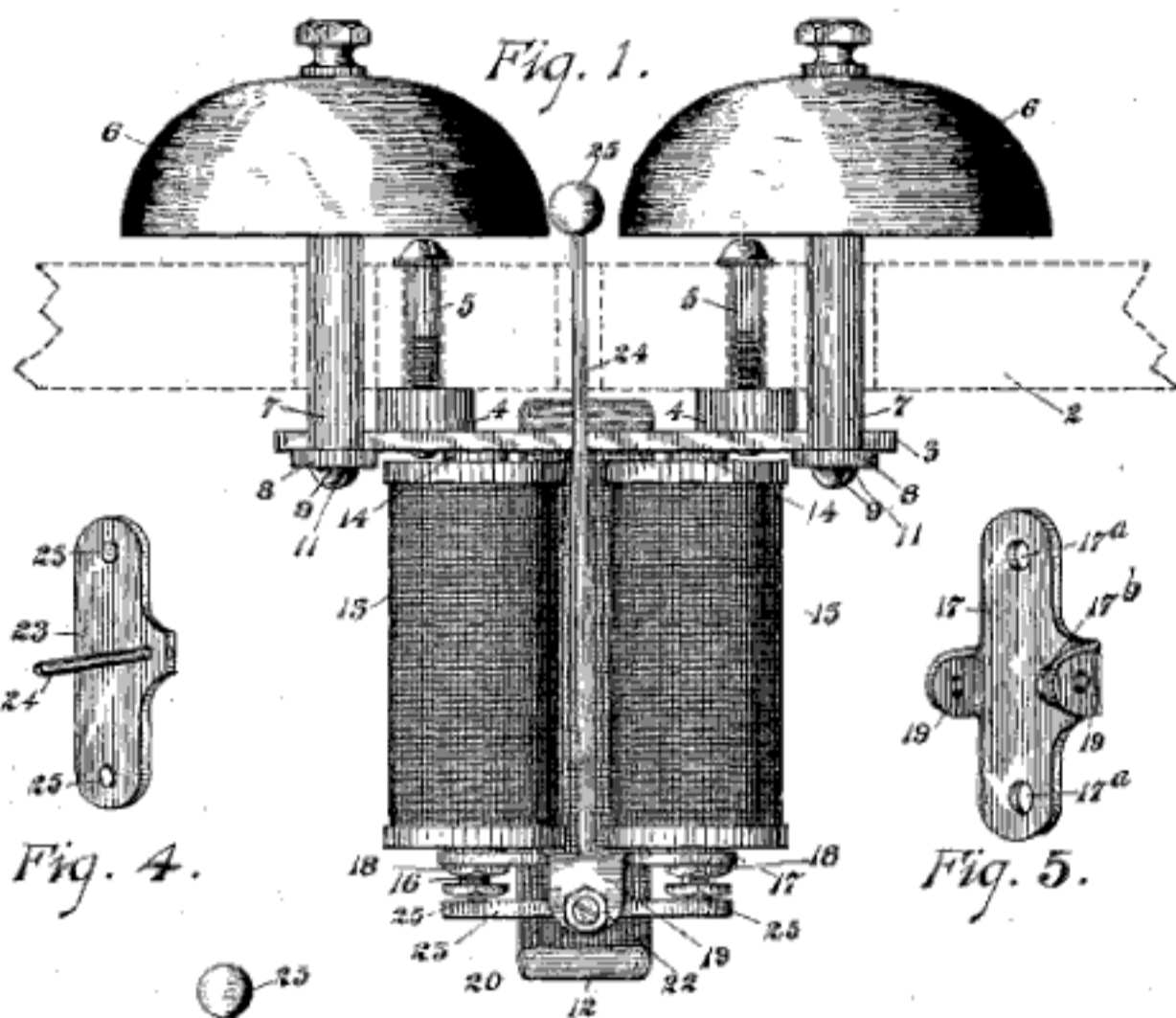


Fig. 4.

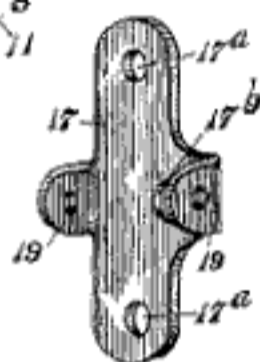


Fig. 5.

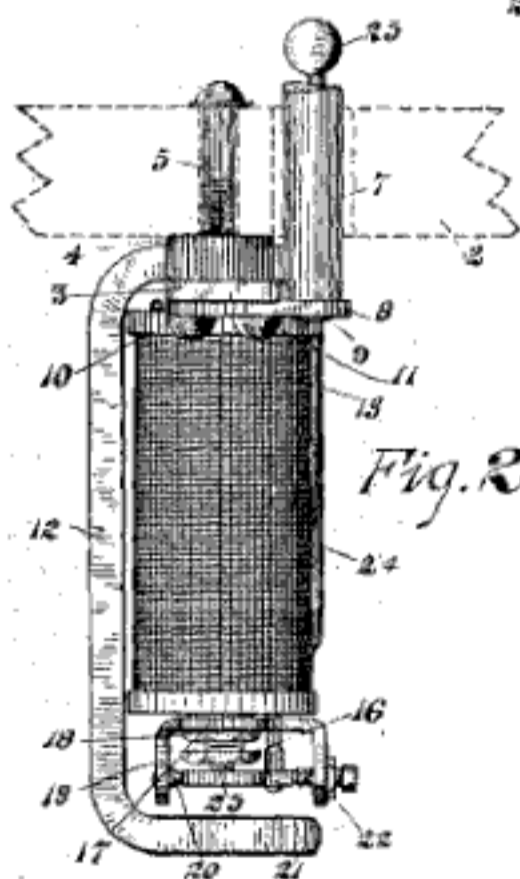


Fig. 2.

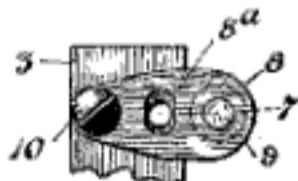


Fig. 6.

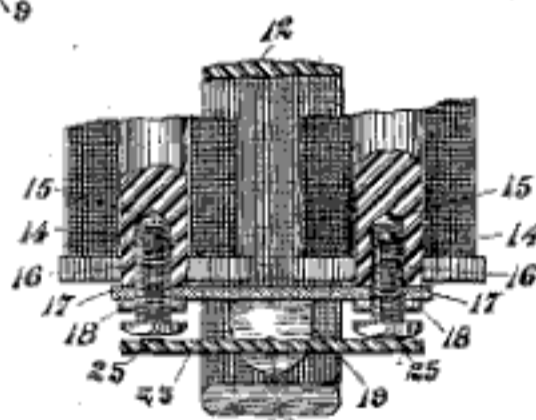


Fig. 3.

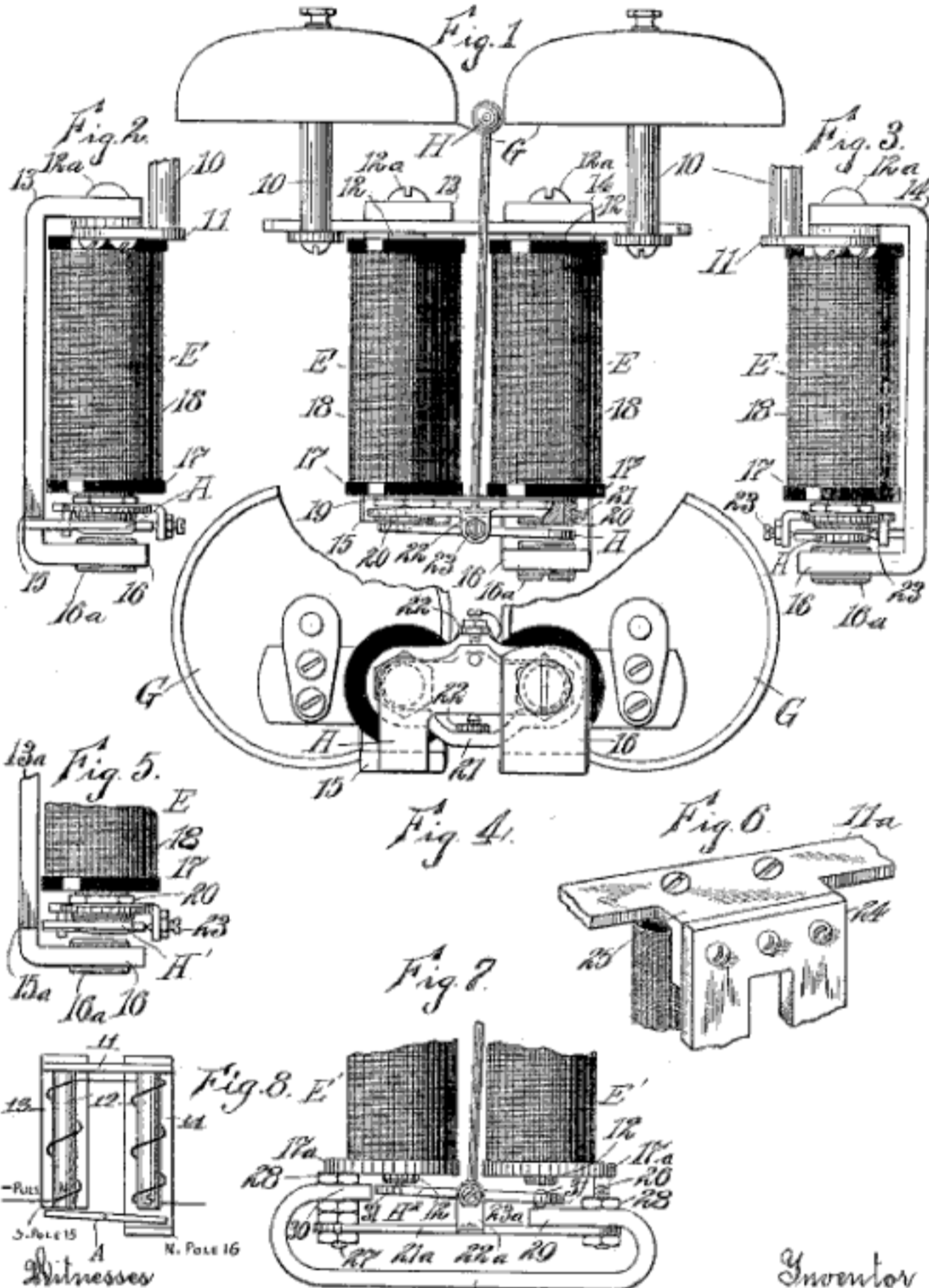
Witnessed.  
*R. H. Burford*  
*Kempster B. Miller*

Inventor:-  
 William W. Dean  
 by *Robert Lewis Ames*  
 Attorney.

W. KAISLING.  
 TELEPHONE CALL BELL OR RINGER.  
 APPLICATION FILED AUG. 10, 1906.

1,106,655.

Patented Aug. 11, 1914.



Witnesses  
 Carolyn Weber  
 L. D. Kellogg

Inventor  
 William Kaisling  
 by Thomas H. Ferguson  
 Attorney

W. W. DEAN.  
BELL.

APPLICATION FILED MAR. 24, 1902.

NO MODEL.

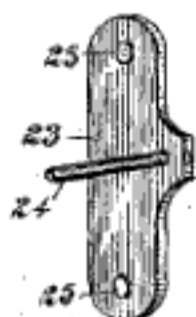
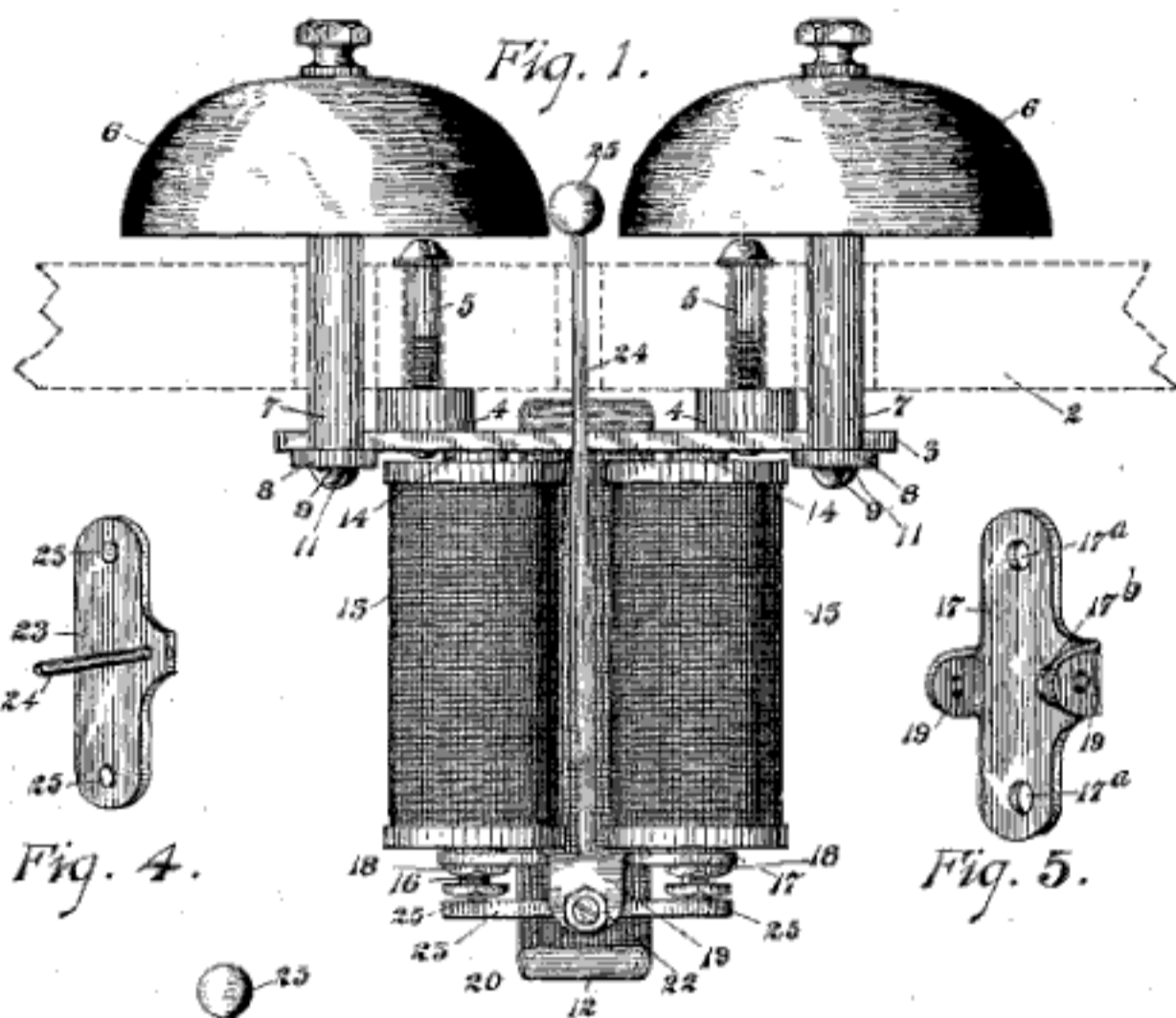


Fig. 4.

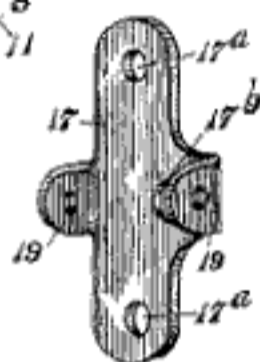


Fig. 5.

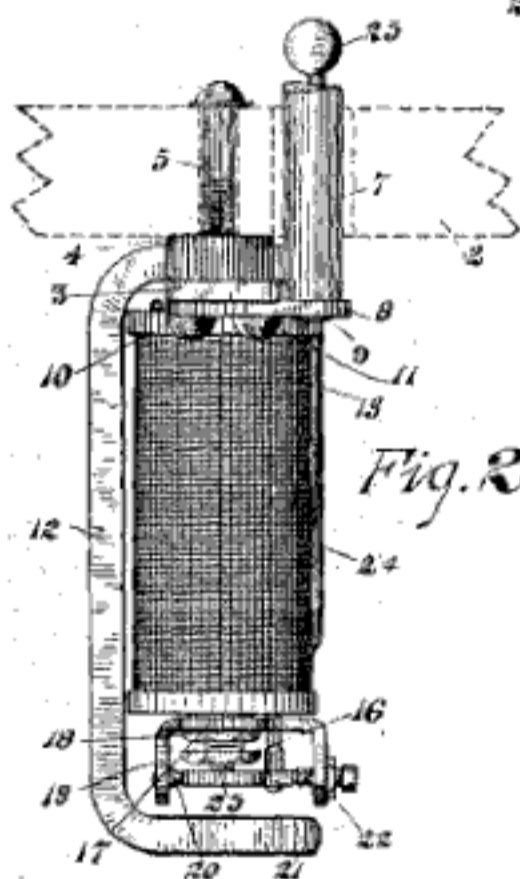


Fig. 2.

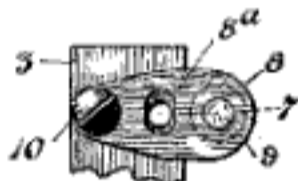


Fig. 6.

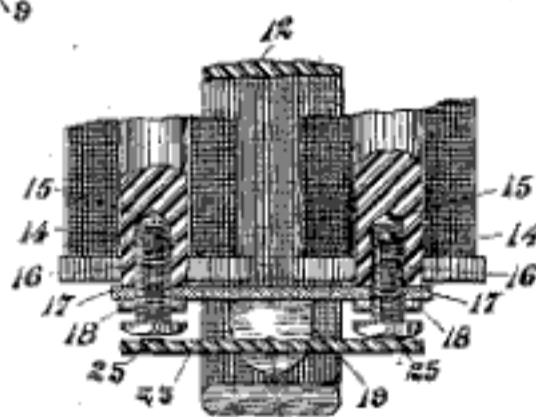


Fig. 3.

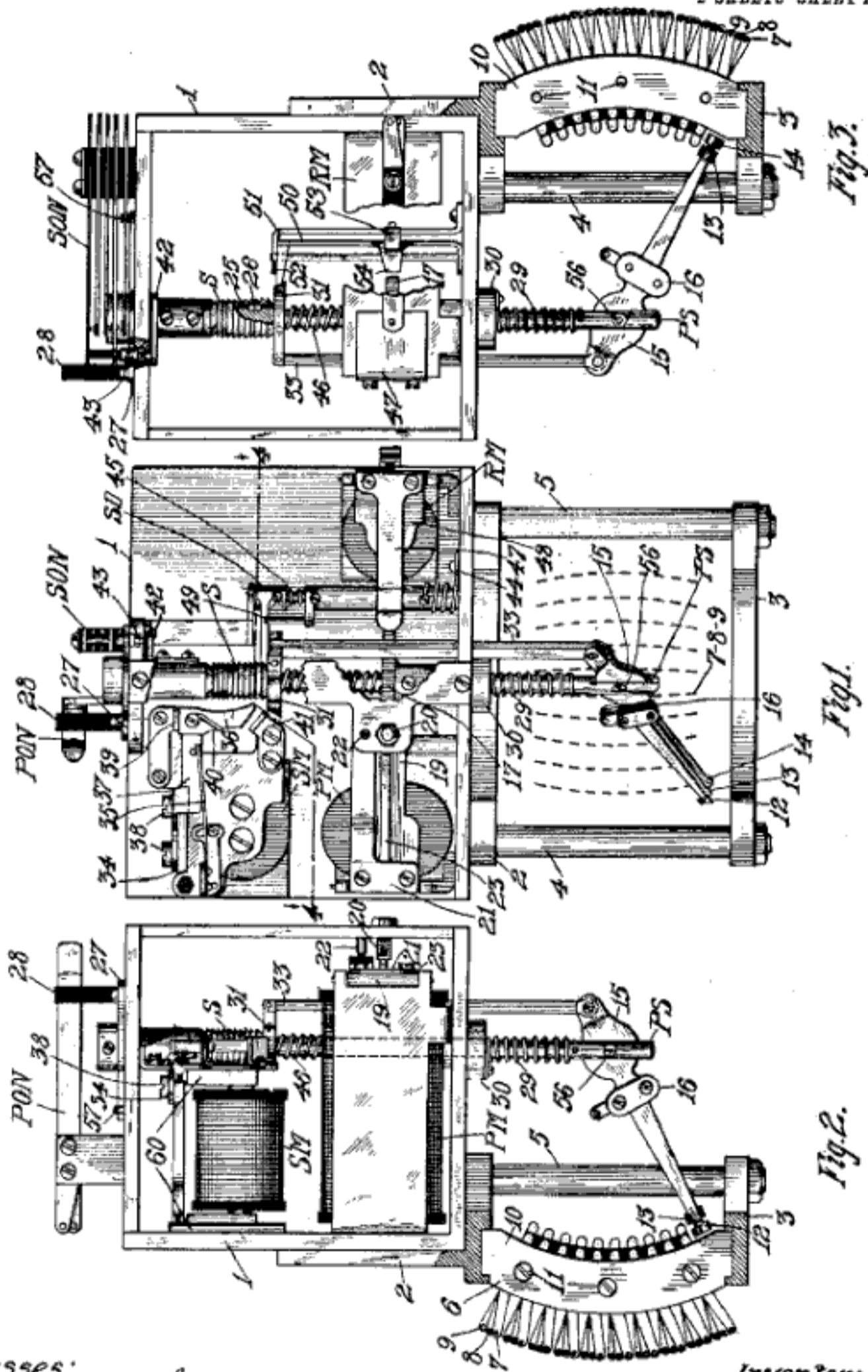
Witnessed.  
*R. H. Burford*  
*Kempster B. Miller*

Inventor:-  
 William W. Dean  
 by *Robert Lewis Ames*  
 Attorney.

1,068,521.

Patented July 29, 1913

2 SHEETS-SHEET 1.



Witnesses:  
 Maynor C. Rice  
 Wm. Berghahn.

Inventor:  
 George E. Mueller  
 By Curtis Blaup  
 Atty.

1,068,521.

Patented July 29, 1913.  
 2 SHEETS-SHEET 2.

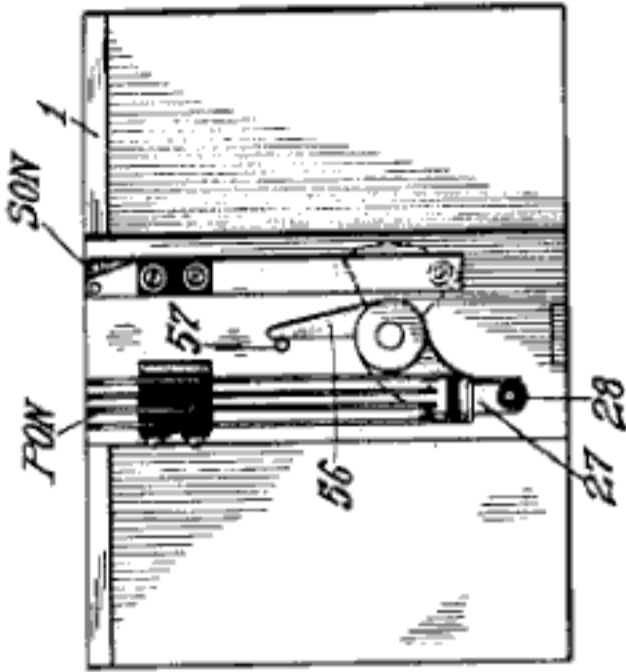


Fig. 5.



Fig. 7.

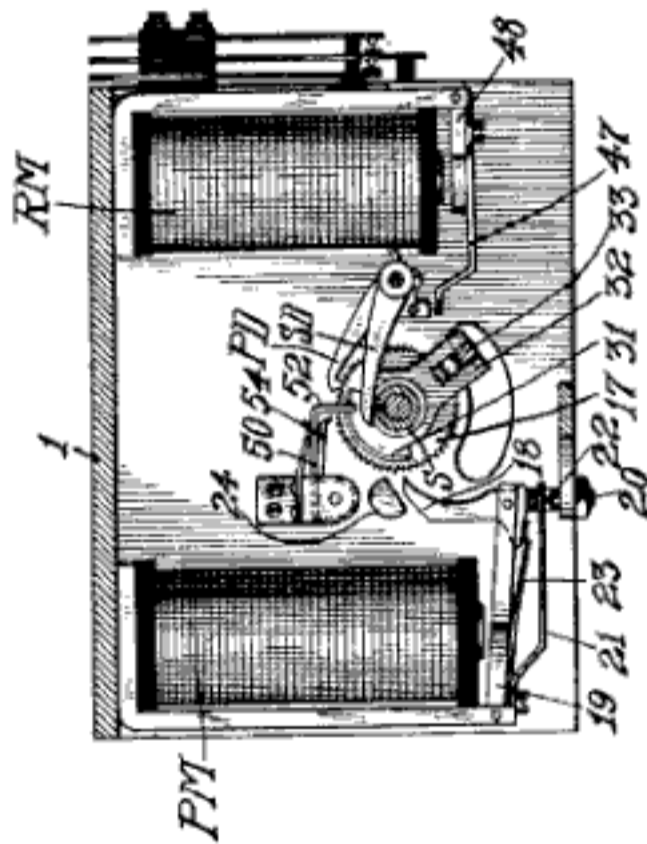


Fig. 4.

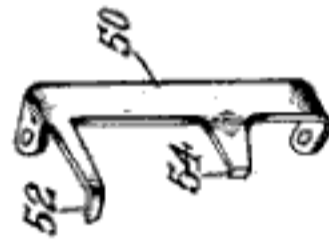


Fig. 6.

Witnesses:  
 Marjorie C. Grier  
 Wm. Berghahn

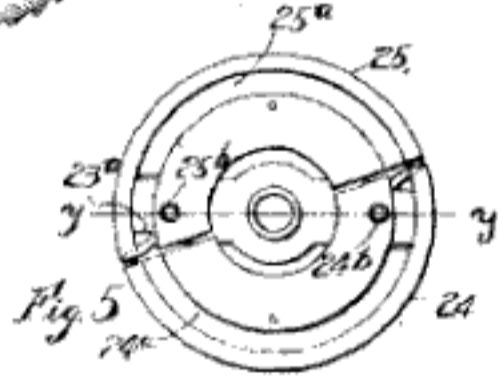
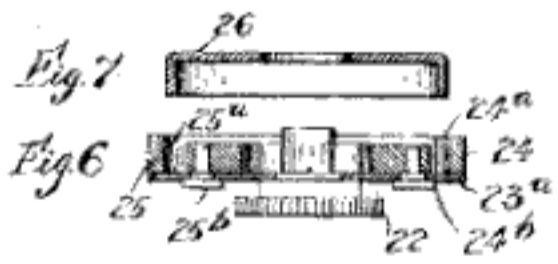
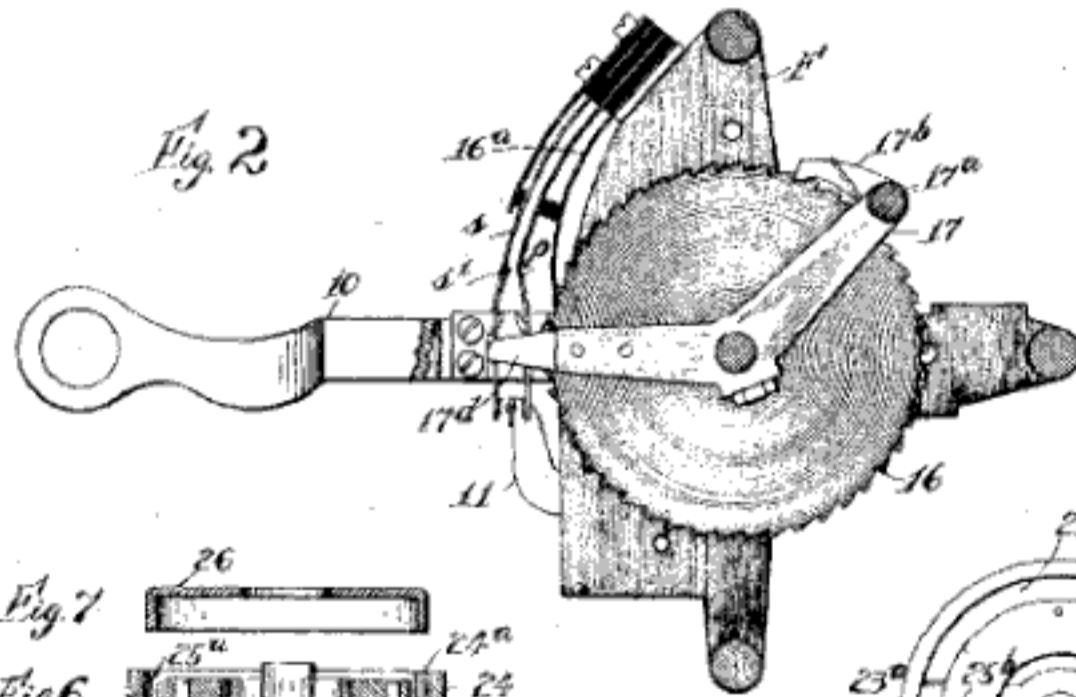
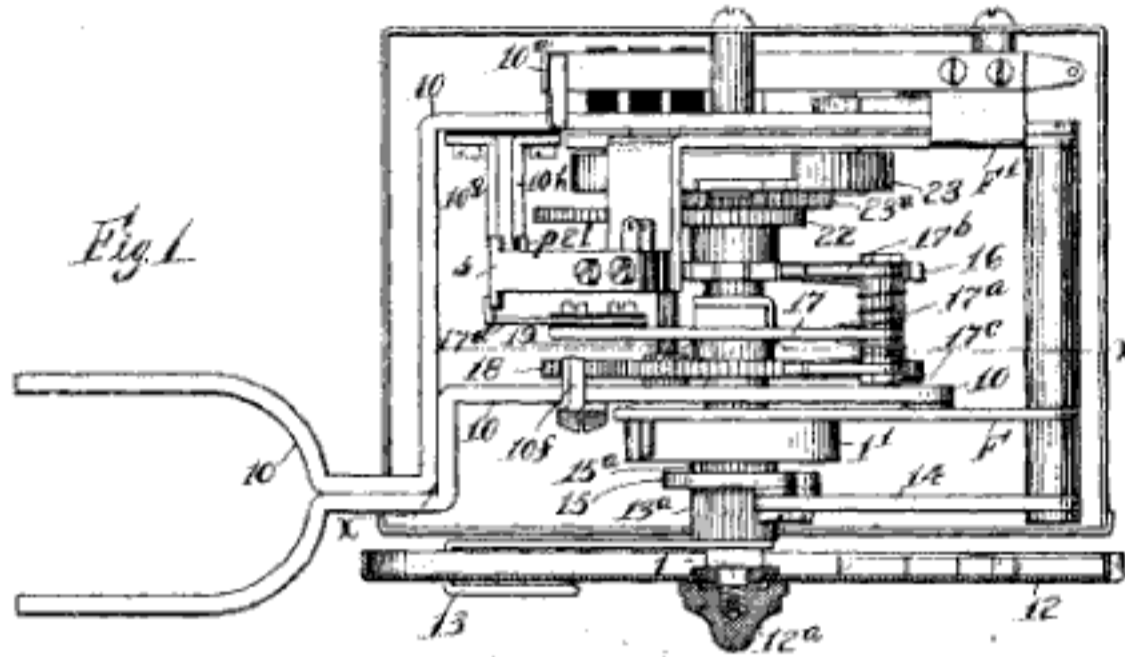
Inventor:  
 George E. Mueller.  
 By Curtis Blamp  
 Atty.

A. H. DYSON.  
 CALLING DEVICE FOR ELECTRICAL EXCHANGE SYSTEMS.  
 APPLICATION FILED FEB. 10, 1900.

1,000,902.

Patented Aug. 15, 1911.

SHEETS-SHEET 1.



Witnesses  
 G. E. Mueller.  
 L. J. Kellogg

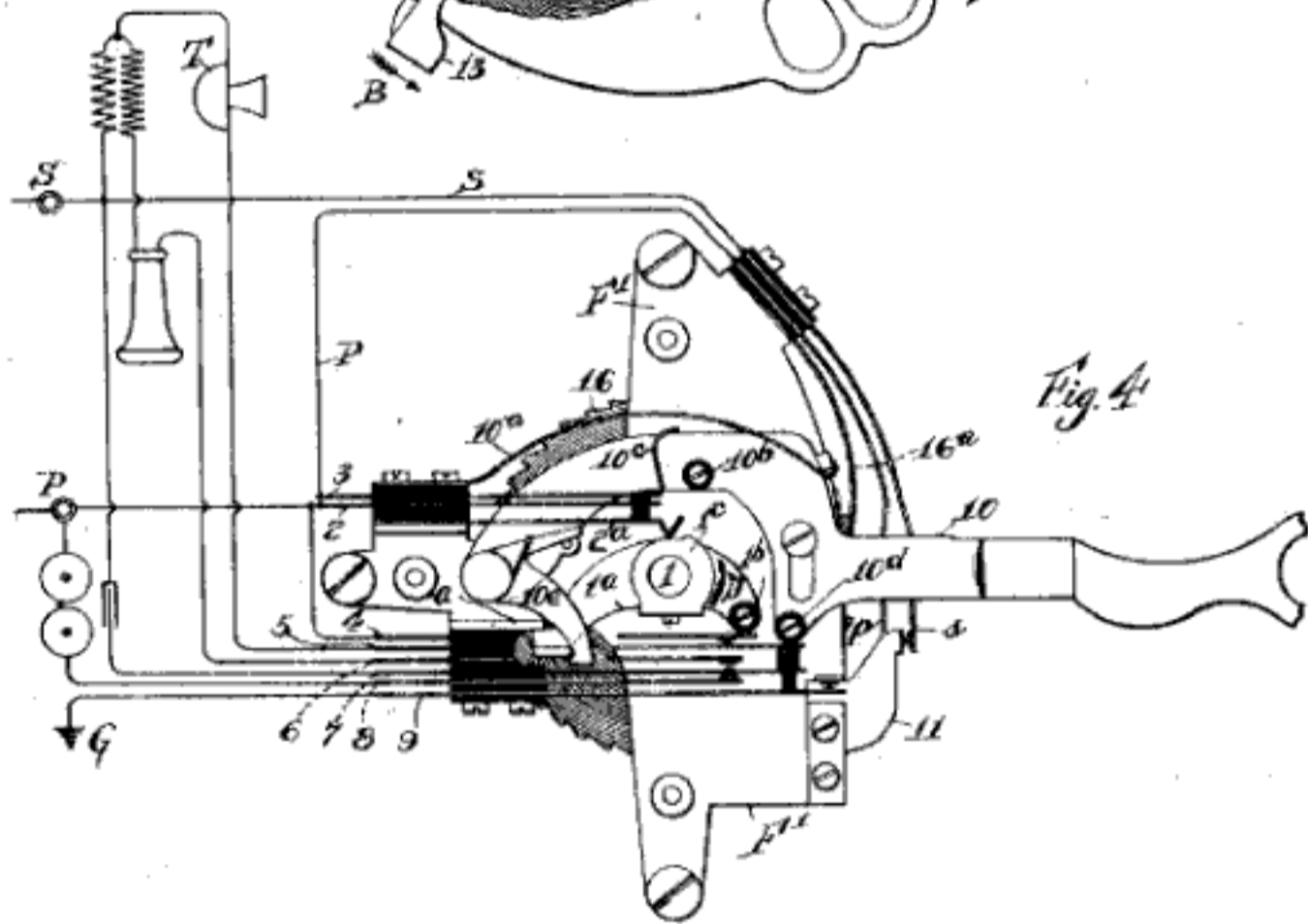
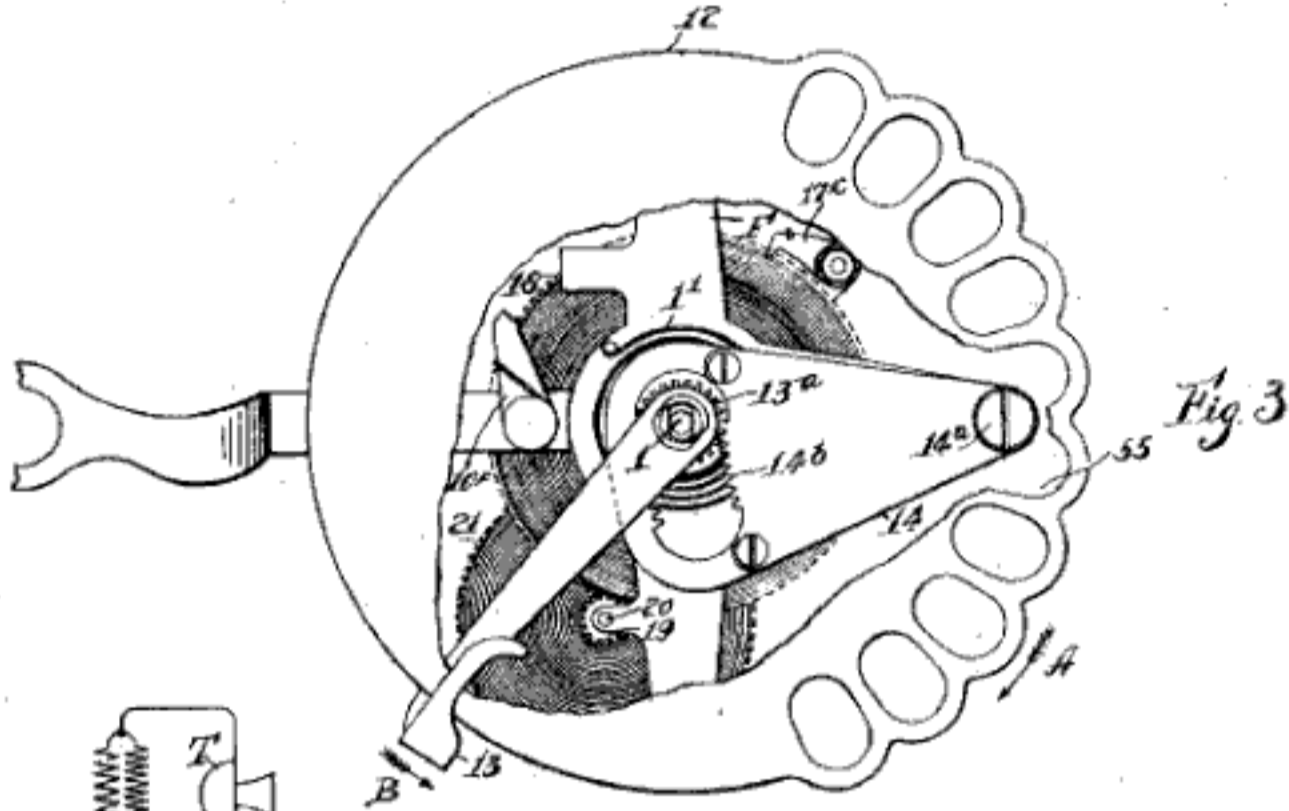
Inventor  
 Alfred H. Dyson

A. H. DYSON.  
 CALLING DEVICE FOR ELECTRICAL EXCHANGE SYSTEMS.  
 APPLICATION FILED FEB. 16, 1906.

1,000,902.

Patented Aug. 15, 1911

2 SHEETS-SHEET 2.



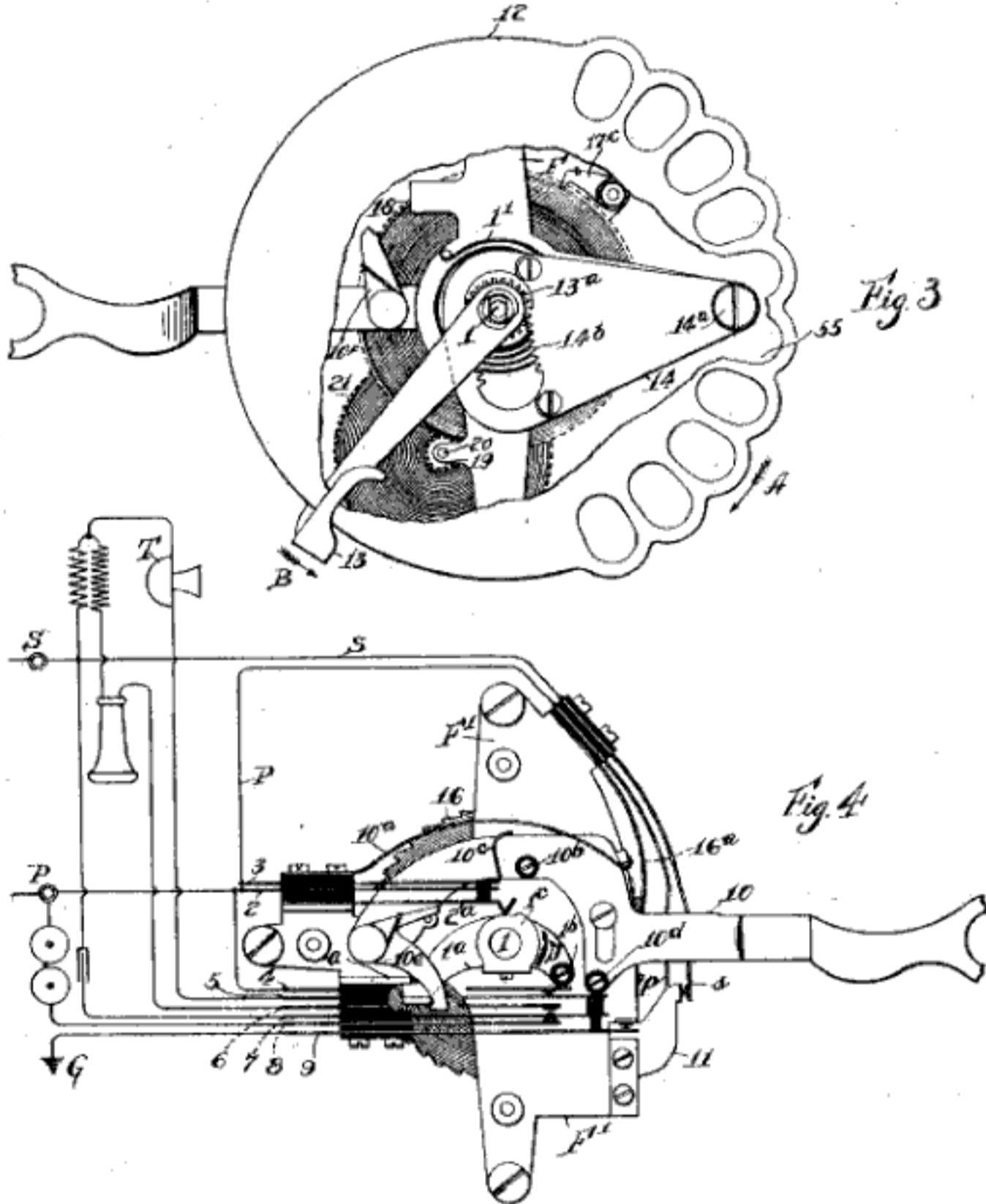
Witnesses  
 G. E. Muller  
 L. D. Kellogg

Inventor  
 Alfred H. Dyson

A. H. DYSON.  
 CALLING DEVICE FOR ELECTRICAL EXCHANGE SYSTEMS.  
 APPLICATION FILED FEB. 16, 1906.

1,000,902.

Patented Aug. 15, 1911  
 2 SHEETS—SHEET 2.



Witnesses  
 G. E. Muller  
 L. D. Kellogg

Inventor  
 Alfred H. Dyson

W. W. DEAN.  
ATTACHMENT FOR TRANSMITTERS.  
APPLICATION FILED FEB. 6, 1904.

NO MODEL.

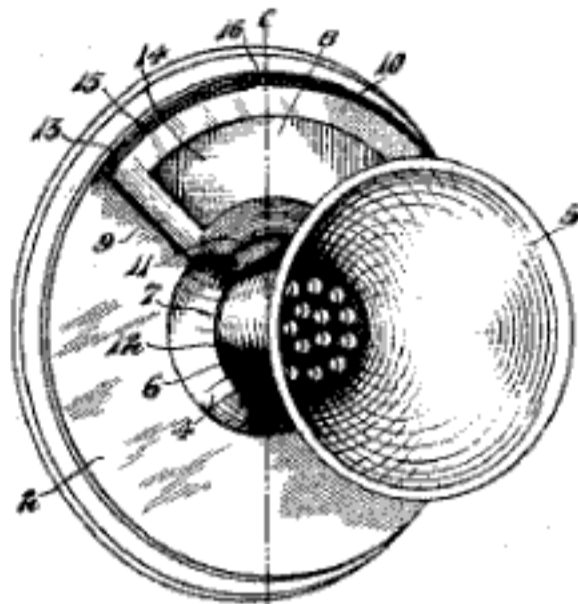


Fig. 1.

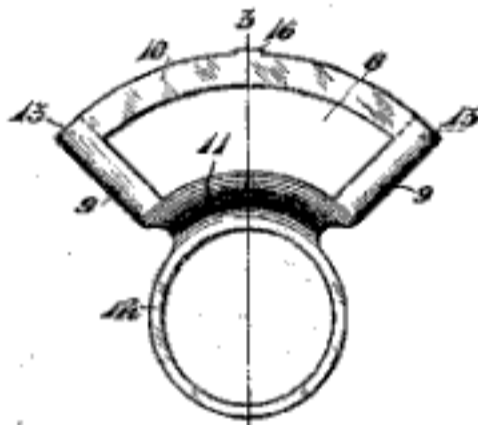


Fig. 2.



Fig. 3.

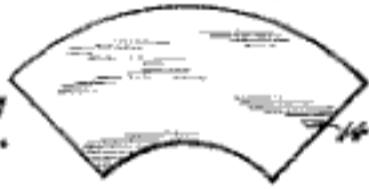


Fig. 5.

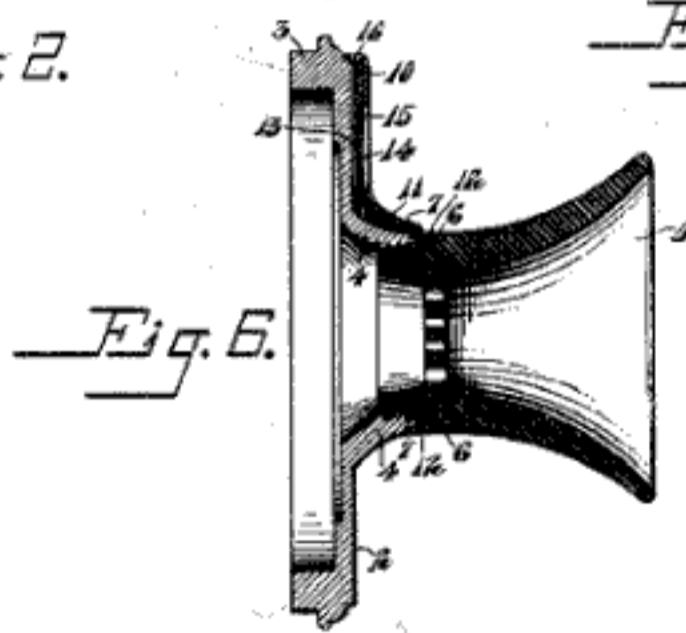


Fig. 6.

Witnesses:  
*P. H. Bradford*  
*E. O. Ames*

Inventor:  
*William W. Dean*  
by *Robert Lewis Ames*,  
Attorney.

# Kellogg

## KELLOGG PATENT COLLECTION

A random collection of U.S. Patent office issued patents assigned to Kellogg Switchboard & Supply Co., Chicago, IL

This is an ongoing work that will be added to as time permits. Thanks to the Google patent search engine [www.google.com/patents](http://www.google.com/patents) we are now able to search and gather these patents assigned to Kellogg. Currently this collection is complete from **1890 to 1916** with some miscellaneous others that were collected prior to this project.

Last updated: 14 February 2007

Adobe Document Produced by Mike Neale, Member of  
Antique Telephone Collectors Association US  
Telephone Collectors International US  
Telecom Heritage Group UK

[www.kelloggtelephone.com](http://www.kelloggtelephone.com)

Adobe Document Contents Copyright 2007, Mike Neale, Midland, Texas, USA



[www.atcaonline.com](http://www.atcaonline.com)



[www.telephonecollectors.org](http://www.telephonecollectors.org)



[www.thg.org.uk](http://www.thg.org.uk)